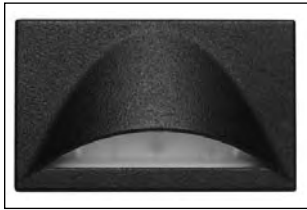




Shown: S1SBK



Shown: SH1SBK



# NightWatch

Low Level LED Emergency/Security Illumination

Emergency "Normally Off" and Continuous Duty Security

"Normally On" Lighting Applications

## Housing

- NightWatch is assembled from premium die cast aluminum components and is painted in a durable powder coat finish
- Numerous standard finishes available with optional finishes available for custom projects
- Assembled as a one-piece device that includes the LED light engine, integral power supply, three level intensity control or line voltage dimmable driver (120 VAC models only)
- All LED and electrical components are protected by both a polycarbonate lens, and high impact power supply case that will be located within the junction box

## Illumination

- LED engine utilizes three high performance white LEDs combined with a solid-state integral driver circuit
- Performs best when mounted 18" A.F.F.
- By utilizing multiple luminaires mounted on 10' centers, NightWatch will meet NFPA required 1 foot-candle average illumination standard
- Incorporates a user selectable, three level intensity control or an optional line voltage dimmable driver (120 VAC models only)

## Installation

- Designed for installation in a single gang junction box
- NightWatch is fastened to the single-gang junction box via two oval head 6x32x1/2" machine screws (supplied with product); junction boxes are not supplied with the product
- When installing NightWatch in an outdoor damp or wet location, a single gang "FS" style junction box will be required by most local electrical codes
- All units (low voltage and line voltage) are UL wet location listed

## Operating Temperature Range

- Standard Wet Location: -31°F (-35°C) to 104°F (40°C)

## Application

- Designed to support low-level illumination of stairwells, step landings, wheelchair ramps and exit corridors
- When powered by LightGuard's StarPower emergency power system or the NightWatch Power Supply, the NightWatch becomes a normally on emergency lighting unit
- NightWatch meets the Buy American requirements

## Warranty

- Electronics: 5 years full

## Electronics

- Designed with all solid state components and is rated for 10 years of continuous "normally on" use
- Electrical connection is made via two flying leads
- Standard product incorporates dip switches on rear of product allowing three levels of intensity
- An optional line voltage dimmable driver is available on 120 VAC models
- The line voltage dimmable driver requires a reverse-phase ELV dimming system

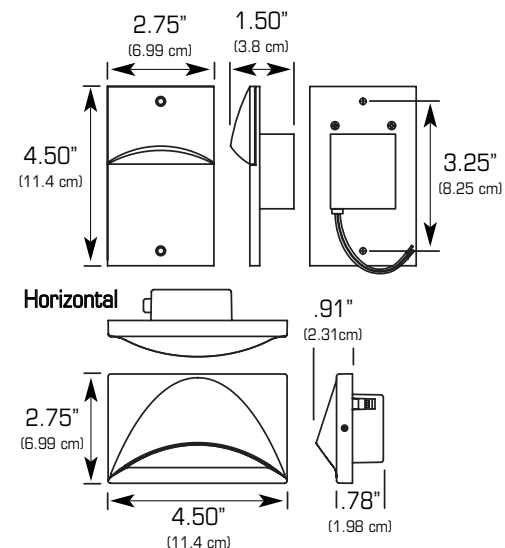
## Electrical Specifications

Input Volts	Current at Dip Switch Setting		
	Low	Med	High
• 12 VDC	0.140 A	0.330 A	0.430 A
• 12 VAC	0.220 A	0.465 A	0.585 A
• 120 VAC	0.035 A	0.065 A	0.085 A
• 120 VAC Line Voltage Dimmable: 60 Hz, 0.072 A			

## Code Compliance

- UL 1598 and 924 listed
- UL Wet Location listed standard
- NFPA 101, NEC, BOCA, OSHA, and IBC illumination standards
- Meets ADA specifications for wall mounted lighting fixtures

## Dimensions



## Ordering Information

SERIES	INPUT VOLTAGE	LENS	FINISH		DRIVER OPTION
<b>S</b> = NightWatch <b>SH</b> = NightWatch Horizontal Mount	<b>1</b> = 12V AC, DC <b>2</b> = 120VAC	<b>S</b> = Satin	<b>WH</b> = White <b>BK</b> = Black <b>IV</b> = Ivory <b>A</b> = Aluminum <b>G</b> = Gunmetal	<b>BR</b> = Ornamental Bronze <b>AC</b> = Aged Copper <b>VG</b> = Velvet Green <b>N</b> = Nickel <b>GA</b> = Granite	<b>Blank</b> = Adjustable Dip Switch <b>DIM</b> = Line Voltage Dimmable <sup>1</sup>

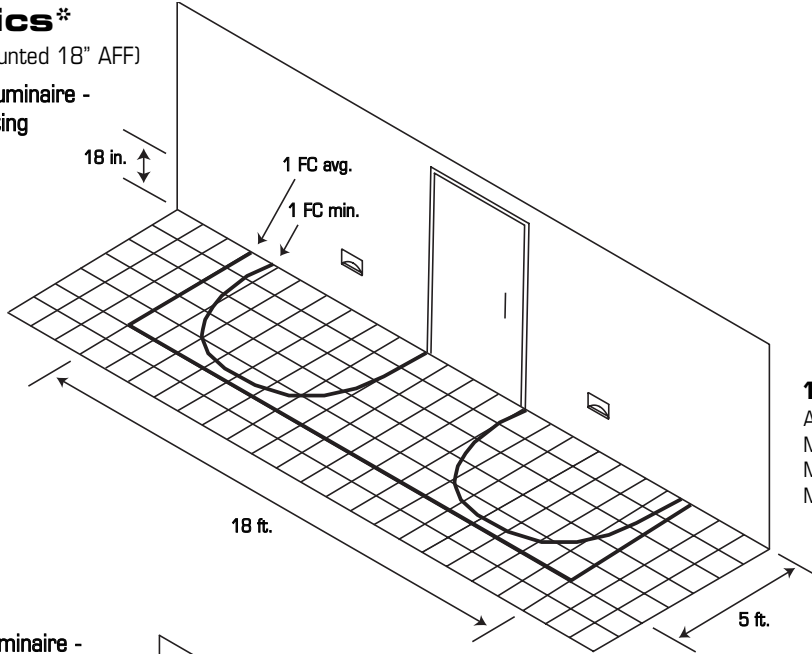
**NOTES:**

1) Line voltage dimmable driver available only with 120VAC (S2, SH2) model.

## Optics\*

(Wall mounted 18" AFF)

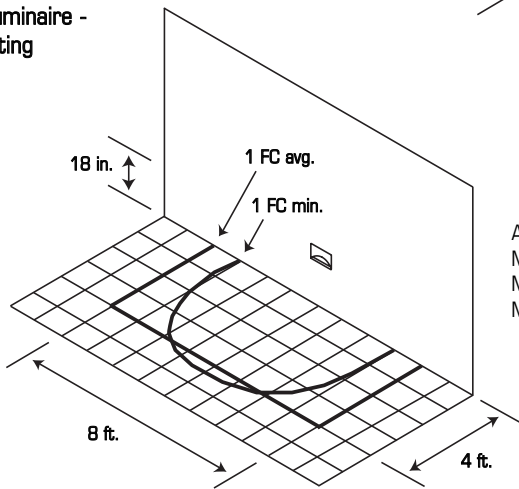
### Double Luminaire - High Setting



#### 10' Fixture Spacing

Average initial footcandles = 2.39  
Maximum initial footcandles = 10.5  
Minimum initial footcandles = 0.3  
Maximum to minimum ratio = 35.00

### Single Luminaire - High Setting



Average initial footcandles = 3.11  
Maximum initial footcandles = 10.1  
Minimum initial footcandles = 0.4  
Maximum to minimum ratio = 25.25

\* The optics layout shown is intended to be used as reference only. Standard reflectances used were 80/50/20. LightGuard is not responsible for site specific conditions that may alter the results.

## Suggested Specification

Furnish and install LightGuard's NightWatch, white LED, path of egress marking system model \_\_\_\_\_. The light shall be manufactured to Underwriter Laboratories, Inc standard 1598 and the National Electrical Code (NEC) standards.

**INSTALLATION AND OPERATION** - The NightWatch shall be easily field connected to utility or supply power depending on the intended application:

- 12VAC, 60 hertz input via a LightGuard PS Series power supply for non-emergency, normally on applications. Furnish and install PS Series model \_\_\_\_\_ to operate the NightWatch.
- 12VDC input via a LightGuard emergency battery unit with the applicable DC voltage and wattage capabilities for normally off, emergency operations. Furnish and install LightGuard model \_\_\_\_\_ to operate the NightWatch.
- 120 VAC, 60 hertz input via utility line voltage for normally on applications.

The NightWatch shall be capable of mounting directly to a standard, single-gang, rectangular style metal junction box. The illumination of the fixture shall be generated by an array of three high-intensity, long-life white LED's. Light intensity shall be field selectable via a dip switch to accommodate low, medium and high light output modes. The NightWatch shall be rated for 10 years continuous duty operation in the high output mode in a normally on application.

**ENCLOSURE** - The NightWatch shall be constructed of durable die cast components with a powder coated finish. The fixtures will carry a full five-year warranty.

ALL SPECIFICATIONS SUBJECT TO CHANGE WITHOUT NOTICE



272 West Stag Park Service Road • Burgaw, NC 28425  
(910) 259-1131 • FAX (800) 403-6927  
www.lightguard.com

L2317R16  
12/11 IH