



Type No. _____

Job Name _____

Catalog No. _____



Shown: FTUPL26-N



FTUPL26-N

Fluorescent Power Packs 650 Lumen Maximum Output

The FTUPL26-N converts switched/unswitched fluorescent lighting into code required emergency lighting. The FTUPL26-N may be installed in or near the fixture to provide unobtrusive life safety protection.

Housing

- Constructed of 20 gauge steel with a high temperature powder coat paint finish
- Housing allows for housing frame mounting on most recessed luminaires

Electronics

- 120/277 VAC dual voltage input capability
- Constant current charger restores battery to full charge within UL 924 specifications
- Compatible with most standard energy-saving magnetic or electronic lamp ballasts
- Charging system complete with AC indicator lamp, test switch, and mounting plate hardware

Electrical Specifications

- Input requirements: 3.5 W

Application

- Commercial locations where emergency lighting protection is required using existing fluorescent lighting

Lamp Operation and Performance

- Operates the following lamp types: most 10-26 W T4 compact fluorescent (2 pin with integral starter)

LAMP TYPE	WATTAGE	BASE TYPE	NON-EMERGENCY MAX. LUMEN OUTPUT	EMERGENCY OP. MAX. LUMEN OUTPUT	EMERGENCY LAMP OPERATION
F10DBX	10	G24D-1	600	300	One Only
F13DBX	13	G24D-1	900	350	One Only
F18DBXT4	18	G24D-2/2 Pin	1160	520	One Only
F26DBXT4	26	G24D-2/2 Pin	1700	650	One Only

NOTES: 1) Maximum non-emergency lumen output can vary based on lamp manufacturer, ambient operating temperature, and ballast manufacturer. 2) Maximum emergency lumen output is based on total output of one or two lamps, and can vary based on lamp manufacturer and ambient operating temperature. 3) Maximum emergency lumen output is supported for a full 90 minutes of operation. 4) Consult factory for compatibility, operation and performance of lamp types not listed.

Battery

- Maintenance free, sealed nickel cadmium battery
- Supplies 90 minutes of emergency power
- Battery has an estimated service life of 10 years, with an operating temperature range of 32°F (0°C) to 122°F (50°C)

Operating Temperature Range

- Standard Damp Location: 32°F (0°C) to 122°F (50°C)

Code Compliance

- UL 924 listed
- UL damp location listing standard
- NFPA 70 and NFPA 101, NEC, BOCA, OSHA, and IBC illumination standards

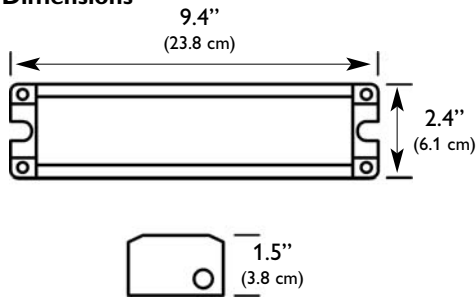
Warranty

- Electronics: 1 year
- Battery: 1 year full, plus four years pro-rata

Ordering Information

FTUPL26-N
MODEL
FTUPL26-N = 650 Max. Lumen Output Fluorescent Emergency Ballast for One Lamp Operation

Dimensions



Dimensions are approximate and subject to change.

Suggested Specification

Furnish and install LightGuard's fluorescent power pack model _____. The unit shall be constructed to meet Underwriter's Laboratories, Inc. Standard #924 and the National Electrical Code (NEC).

INSTALLATION AND OPERATION - Unit shall be easily field connected to a 120 or 277 VAC, 60 Hz, unswitched power source. Installation must comply with the NEC as well as other applicable codes. Upon utility power failure or brownout, the unit shall automatically transfer to battery power and maintain the required illumination for a minimum period of 90 minutes. Upon restoration of utility power, the charger shall restore the battery to full charge within UL 924 requirements following a rated discharge of not more than 90 minutes.

CHARGER - Unit shall utilize a solid-state, constant current charging system which will maintain the battery at full capacity without the need for periodic exercising or equalization.

BATTERY - The battery shall be a high temperature, maintenance-free, nickel cadmium battery. The unit shall be UL damp location listed with an operating temperature range of 32°F (0°C) to 122°F (50°C). Nickel cadmium batteries shall be supplied with a one year full warranty.

ENCLOSURE - The housing shall be constructed of 20 gauge steel. The slim housing shall allow for housing frame mounting on most recessed luminaires.

ALL SPECIFICATIONS SUBJECT TO CHANGE WITHOUT NOTICE



272 West Stag Park Service Road • Burgaw, NC 28425
(910) 259-1131 • FAX (800) 403-6927
www.lightguard.com

L2203R2
1/12 IH