

Type No. \_\_\_\_\_  
Job Name \_\_\_\_\_  
Catalog No. \_\_\_\_\_



Shown: BN



# Brillare

- **Architectural Emergency Lighting**
- **7.2 Volt, 10 Watt LED Lamps**
- **NiMH Battery, Diagnostic Charger**
- **1 Footcandle Average at up to 50 ft.**

## Housing

- Robust die cast and extruded aluminum housing
- Available in a full range of pleasing architecturally inspired finishes (see ordering information)
- Wall mount to standard 3½" octagonal junction box
- Quick and easy installation using simple two-piece snap-together construction
- The backplate is provided with convenient keyhole slots for mounting and a tamperproofing option is available

## Battery

- Maintenance-free, sealed nickel metal hydride battery with a 10-year life
- Supplies 120 minutes of emergency power
- Operating temperature range of 20°F (-7°C) to 95°F (35°C)\*

\* Increases or decreases in temperature will affect battery performance and/or capacity. Optimum battery performance realized at 77°F (25°C).

## Illumination

- Illumination is provided by two 5W white LEDs and a specular Miro 4 (Alanod™) aluminum reflector
- Lamp head assembly may be rotated in five-degree increments over a range of 60 degrees for ideal distribution along the egress path
- Provides one footcandle average illumination over a 50' long path of egress

## Application

- Ideal for commercial, retail, or office locations where an attractive, highly reliable and easily installed emergency lighting product is needed
- Brillare meets the Buy American requirements

## Warranty

Electronics: 3 years  
Battery: 5 years full, 5 years pro-rata

## Code Compliance

- UL 924 listed
- UL damp location listing optional
- NFPA 101, NEC, BOCA, OSHA, and IBC illumination standards

## Electronics

- 120/277 VAC dual voltage input
- Microprocessor-based, solid-state circuitry controls and monitors all charge functions
- Brownout protection activates lights when AC voltage drops 20% below nominal
- Labor saving AC lockout feature
- Low voltage disconnect switch (LVD) prevents deep battery discharge

## Electrical Specifications

### Achievable Emergency Illumination

One footcandle average with adjacent fixtures mounted on 50' centers.

### Operating Time

120 minutes of emergency operation

### Input power requirements

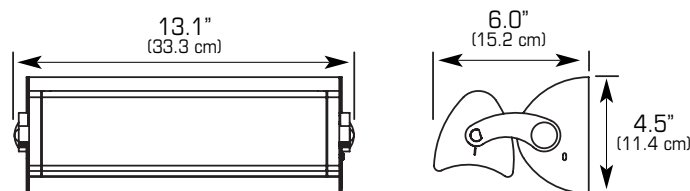
120 VAC - 0.09 Amps

277 VAC - 0.03 Amps

## Self-Diagnostics

- Standard self-diagnostic electronics perform automatic one minute test of emergency operation every 30 days and a similar 30 minute test every 180 days to verify fixture activation, battery capacity and lamp operation
- User may initiate a one minute or 90 minute test manually using the test switch or available infrared remote

## Dimensions



Dimensions are approximate and subject to change.

# Brillare 7.2 Volt Emergency Lighting

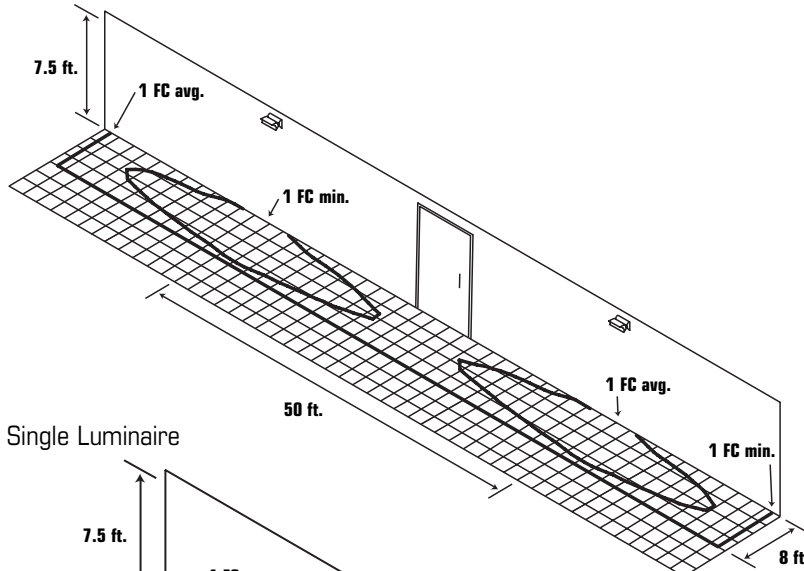
## Ordering Information

B			
SERIES	HOUSING COLOR		FACTORY INSTALLED OPTIONS
<b>B</b> = Brillare	<b>W</b> = White <b>B</b> = Black <b>A</b> = Aluminum <b>G</b> = Gunmetal	<b>BR</b> = Ornamental Bronze <b>AC</b> = Aged Copper <b>VG</b> = Velvet Green <b>N</b> = Nickel	<b>TP</b> = Tamperproof <b>DL</b> = Damp Location
Consult factory for other colors.			

ACCESSORIES (Ordered Separately)
<b>LGREMOTE</b> = Infrared Remote Control

## Optics\* Wall Mounted 7.5' AFF

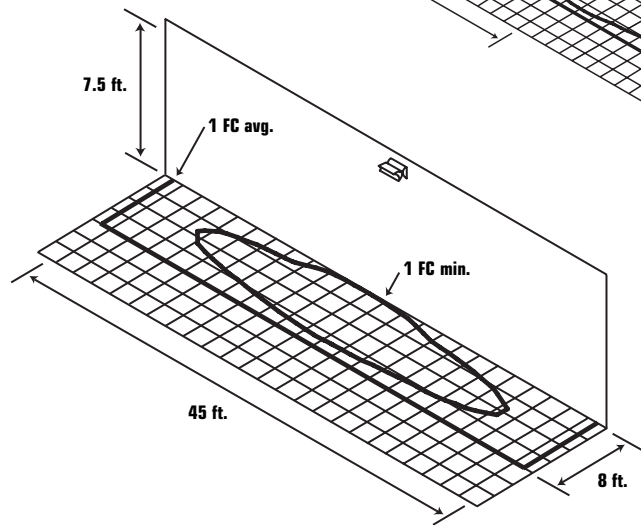
Double Luminaire



\*The optics layout is intended to be used as reference only. Standard reflectances used were 80/50/20. LightGuard is not responsible for site specific conditions that may alter the results.

Average initial footcandles = 1.2  
Maximum initial footcandles = 3.9  
Minimum initial footcandles = 0.3  
Maximum to minimum ratio = 13.0

Single Luminaire



Average initial footcandles = 1.17  
Maximum initial footcandles = 3.9  
Minimum initial footcandles = 0.1  
Maximum to minimum ratio = 39.0

## Suggested Specification

Furnish and install LightGuard emergency lighting model Brillare. The unit shall be constructed to meet Underwriters Laboratories, Inc. Standard #924 and must be installed to conform to Article 700 of the National Electrical Code (NEC).

**INSTALLATION AND OPERATION** – Unit shall be easily field connected to a 120 or 277 VAC, 60 hertz, unswitched power source. Installation must comply with the NEC as well as other applicable codes. Upon utility power failure or brownout, the unit shall automatically provide emergency battery power and maintain the stated illumination level and output wattage for a minimum period of 120 minutes. Upon restoration of utility power, the charging circuitry shall restore the battery to full charge within UL 924 requirements following a rated discharge of not more than 120 minutes.

**CHARGING CIRCUITRY** – Unit shall utilize a fully automatic, microprocessor controlled charging system. The charging system shall maintain the battery at full capacity without the need for periodic exercising or equalization. The following features shall be standard: low voltage disconnect (LVD), brownout protection, AC lockout and self-test/self-diagnostics. Self-test/self-diagnostics shall monitor and indicate a fault occurring in either the charger, battery, lamp circuit or input supply.

**BATTERY** – The battery shall be maintenance-free nickel metal hydride. The NiMH battery shall provide trouble-free operation in temperatures ranging from 65°F (19°C) to 85°F (30°C). The battery shall be supplied with a five-year full warranty.

**ILLUMINATION** – Illumination shall be provided by an engineered Miro 4 reflector and two five-watt white LED lamps. Adjacent fixtures mounted 50 feet apart shall provide one foot-candle average when mounted at a 7.5' mounting height.

**HOUSING** – Housing construction shall be of cast and extruded aluminum. The unit shall be available in multiple colors and finishes. The unit shall be wall mounted to a standard 3/4" octagonal junction box.

ALL SPECIFICATIONS SUBJECT TO CHANGE WITHOUT NOTICE



272 West Stag Park Service Road • Burgaw, NC 28425  
(910) 259-1131 • FAX (800) 403-6927  
www.lightguard.com

L2340R12  
9/11 IH