



# Grafix Masonry Mount Kit

Service Questions Call: 910-259-1000

## IMPORTANT SAFEGUARDS

When using electrical equipment, basic safety precautions should always be followed, including the following:

### READ AND FOLLOW ALL SAFETY INSTRUCTIONS

All servicing should be performed by qualified personnel only.

Equipment should be mounted in locations and at heights where it will not be readily subjected to tampering by unauthorized personnel.

The use of accessory equipment not recommended by the manufacturer may cause an unsafe condition.

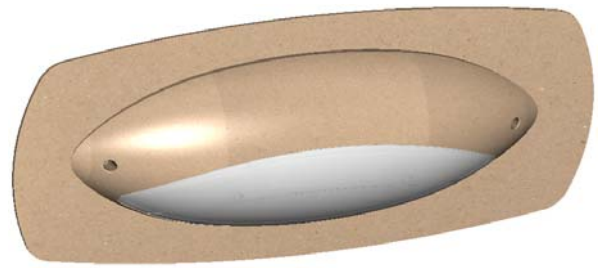
Do not use this equipment for other than intended use.

Do not let supply cords touch hot surfaces.

Do not mount near gas or electric heaters.

Caution: Halogen cycle lamp(s) are used in this equipment. To avoid shattering: Do not operate lamp in excess of rated voltage, protect lamp against abrasion and scratches and against liquids when lamp is operating, dispose of lamp with care.

Halogen cycle lamps operate at high temperatures. Do not store or place flammable materials near lamp.



## INSTALLATION AND OPERATING INSTRUCTIONS

Use caution when servicing batteries. Battery acid can cause burns to skin and eyes. If acid is spilled on skin or eyes, flush acid with fresh water and contact a physician immediately.

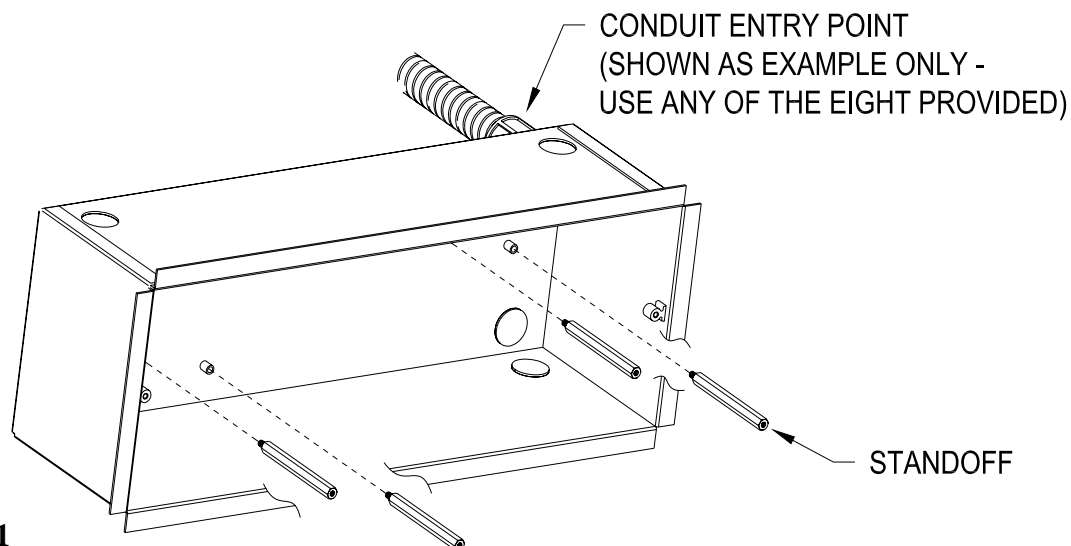
**CAUTION:** To avoid electrical overload, total connected lamp load (factory and field installed) should not exceed output rating.

## SAVE THESE INSTRUCTIONS

**WARNING** – Shut off AC power to branch circuits to which units will be connected. All wiring should be per N.E.C. Articles 501-4(b) and local codes.

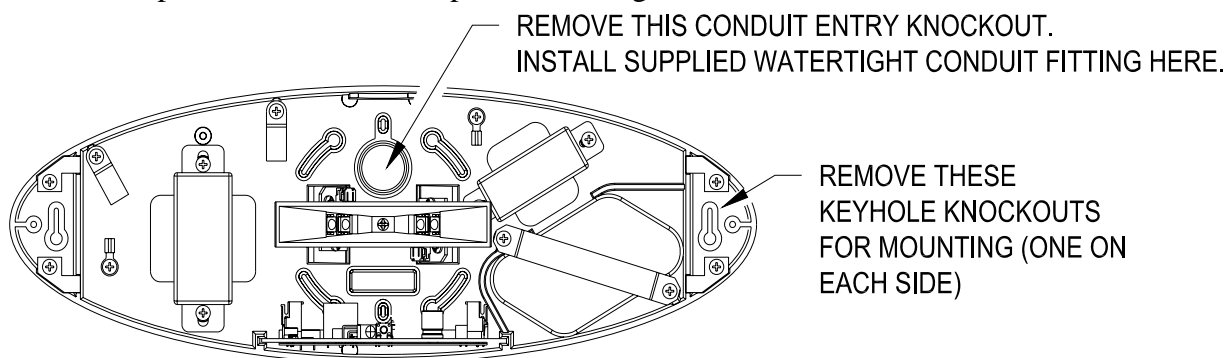
To maintain warranty, equipment with batteries must be installed or placed on charge within prescribed period after shipment.

## GENERAL INSTRUCTIONS

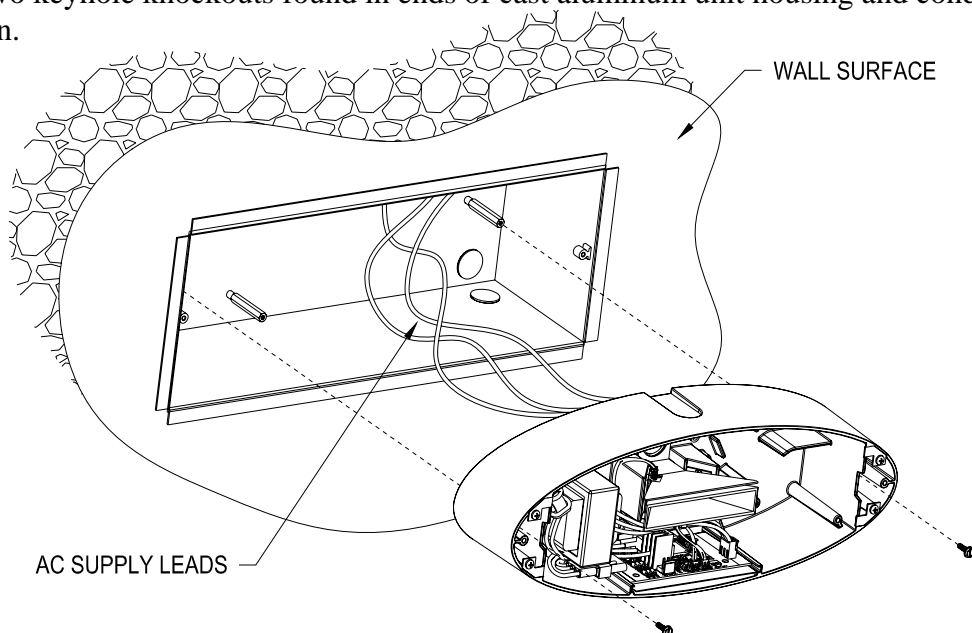
**Step 1**

Prepare recessed backbox by removing AC entry knockout desired and attaching AC supply conduit. Screw one standoff into each of the four threaded fittings inside the backbox.

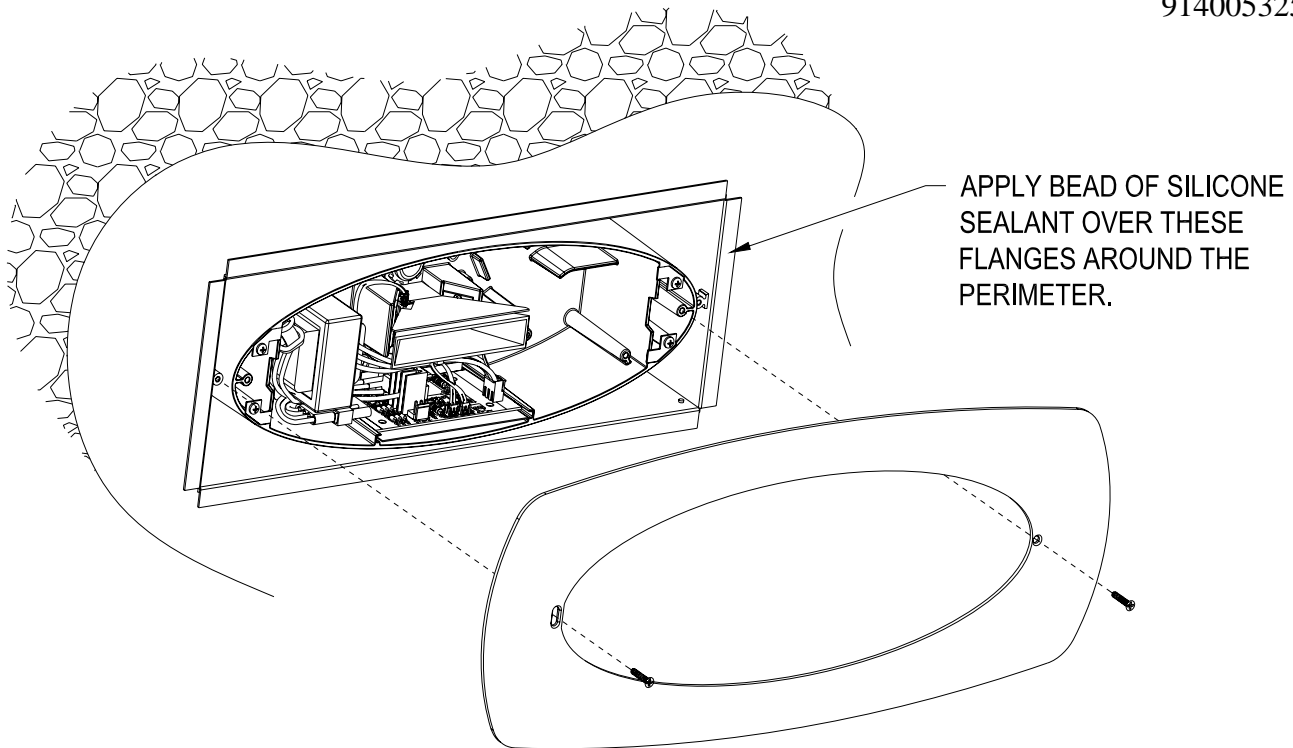
Note: If installing in a poured concrete wall, seal corners of sheetmetal backbox with a small amount of caulk, RTV silicone, tape or other material to prevent leaking of concrete into backbox.

**Step 2**

Remove two keyhole knockouts found in ends of cast aluminum unit housing and conduit entry knockout as shown.

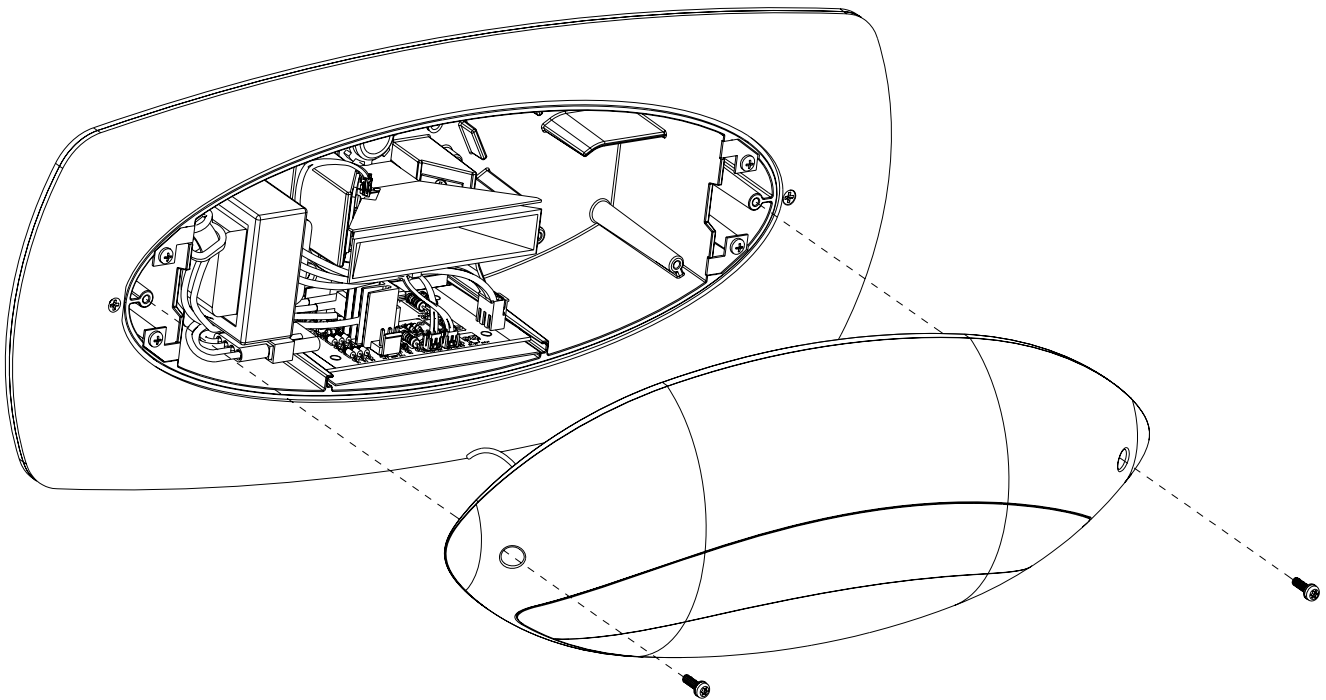
**Step 3**

Route AC supply wires thru the watertight conduit fitting provided and tighten sealing nut on watertight fitting. Refer to installation instructions included with unit for wiring instructions. Mount unit housing to backbox assembly using two #6-32X1/2" hex head screws provided.



#### Step 4

Apply a bead of silicone sealant around the perimeter of the backbox flange to improve the seal between it and the trimplate. Affix the trimplate to the backbox using the two #6 philips flathead screws provided. The lip of the foam rubber gasket found on the back of the trimplate should form a seal against the edge of the cast aluminum unit housing.



#### Step 5

Affix unit cover in place using screw kit supplied with the unit. Refer to instruction sheet included with the unit for operating instructions.