

**READ INSTRUCTIONS CAREFULLY BEFORE ATTEMPTING TO INSTALL FIXTURE.
RETAIN INSTRUCTIONS FOR FUTURE REFERENCE.**

GENERAL SAFETY INFORMATION

WARNING: Do not handle an energized fixture or energize any fixture with wet hands or when standing on a wet or damp surface or in water.

External parts of fixture develop high operating temperatures. To avoid possible pain or injury, do not touch external parts fixture when it is in operation. Turn off power and allow fixture to cool before touching for any reason.

1. This fixture must be properly fused and wired in accordance with all electrical and safety codes and ordinances, as well as the most recent National Electric Code (NEC).
2. This fixture must be adequately grounded for your protection against shock hazards and to assure proper operation.
3. All wiring should be performed by a qualified electrician.
4. Make certain that the power source conforms to the requirements of this fixture.
5. Disconnect power before installing or servicing. If the power disconnect switch is out of sight, lock it in the open position and tag it to prevent unexpected application of power.
6. This fixture is intended to be used for general lighting in a normal open-air ambient. Do not install in dead air, sheltered, buried or boxed-in locations. This fixture should not be installed in areas that will entrap heat. It is not intended to be used in potentially dangerous locations such as flammable or explosive atmospheres. **Not for use in car washes.**
7. Failure to follow the above safety instructions could result in fatal shock or fire hazards.
8. This fixture is intended for wall or pole mounting with approved fittings and accessories.

INSTALLATION

WARNING: Make sure that all power is turned off while installing unit. Do not turn power on until fixture is completely installed. Turn power off at circuit breaker box.

Refer to appropriate Section.

Operation

Switch unit "on" circuit breaker controlling unit. If lamp does not light see troubleshooting chart.

Maintenance

Periodically check and remove any accumulated dirt or debris from the lens and around fixture.

TROUBLE SHOOTING GUIDE

SYMPTOM	POSSIBLE CAUSE(S)	CORRECTIVE ACTION
Lamp does not light	1. No power to unit	1. Check circuit protection device (circuit breaker, fuse or switch)
	2. Loose lamp connection	2. Remove lamp, clean contacts and tighten in socket
	3. Burned out lamp or ballast	3. Replace
	4. Loose wiring	4. Recheck wiring connections
Emergency lamp does not light	1. External battery unit failure	1. Replace battery
	2. External battery unit fuse blown	2. Replace fuse. Check for faults to ground if fuse continues to clear.
	3. Emergency lamp burned out	3. Replace

With Power OFF !

FTCL Series Fixtures

Mounting FT Series 100W Fixture To Wall Mount Plate

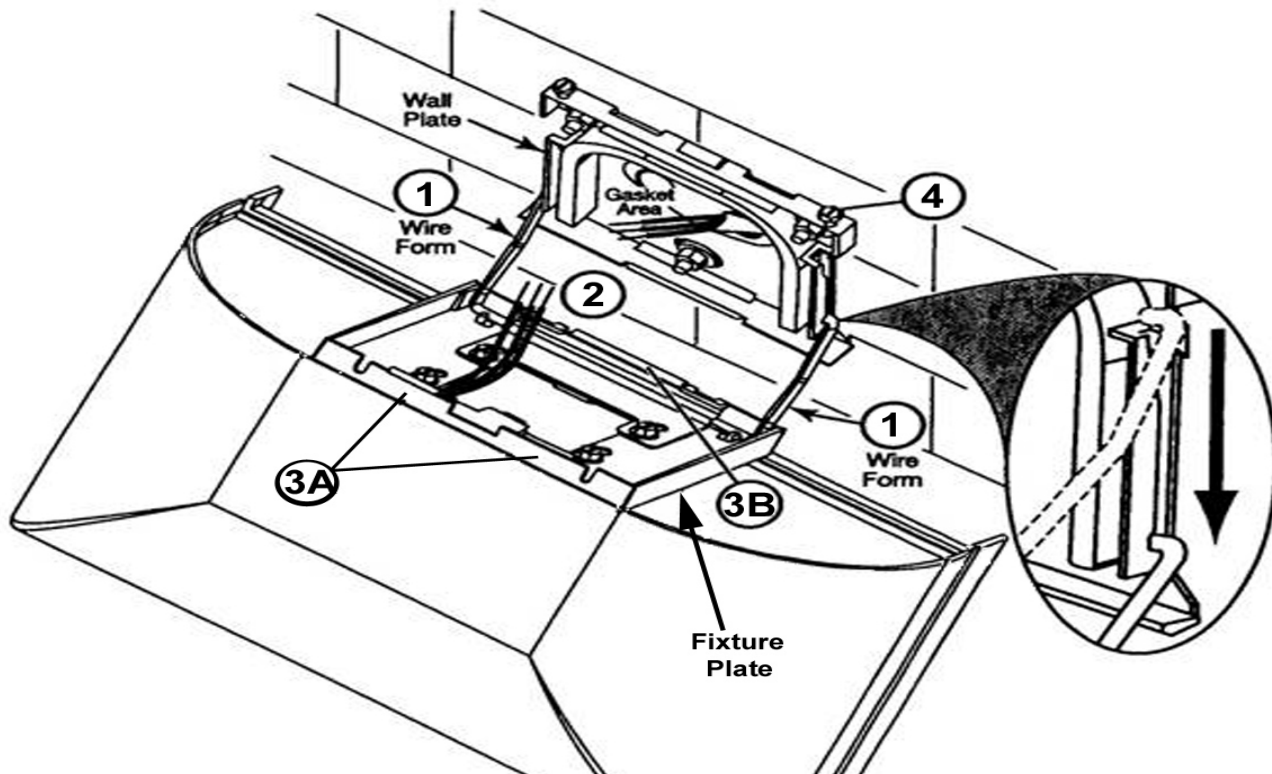
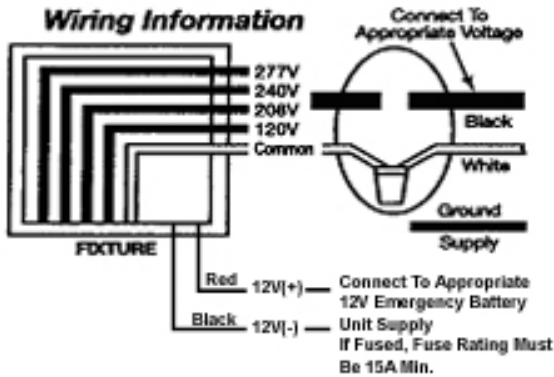
CAUTION: Disconnect Power Before Servicing

- ① Hold fixture and position wireform into the slots on each side of the Wall Plate. Slide the wireform to the bottom of the slot and allow fixture to hang freely.
- ② Connect supply ground. Select proper voltage and make wire connections. **DO NOT** push extra wire leads back in the fixture.

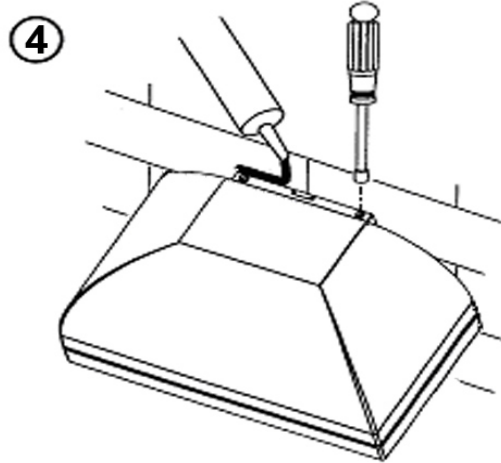
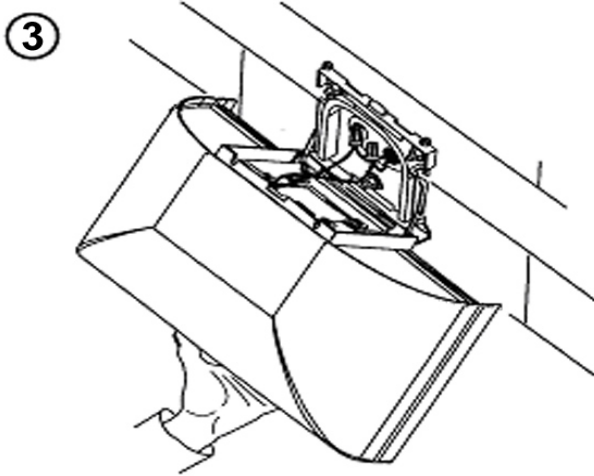
- ③ Engage lower tab (3B) on the Fixture Plate with bottom of Wall Plate. Swing fixture up while guiding wires inside gasket area.

IMPORTANT: All wiring and connections MUST stay within the gasket area to insure water seal. Push plates together and engage top tabs (3A) and bottom tab (3B) into slots at top and bottom Wall Plate.

- ④ Secure plate assembly by tightening two screws. Apply silicone caulk in seam between wall and top of plate assembly.

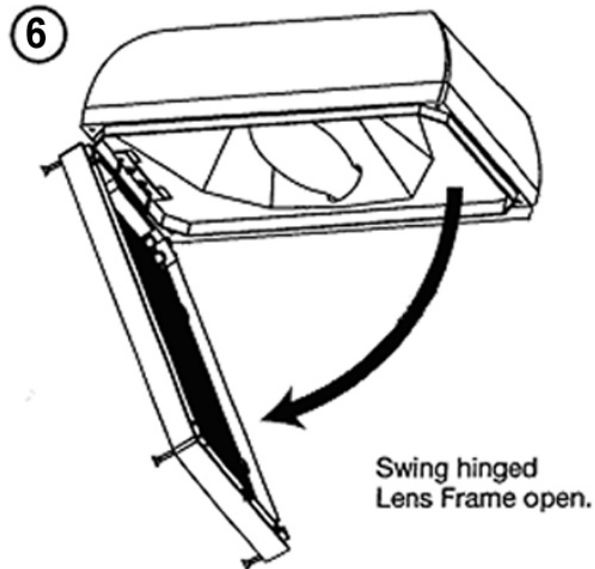
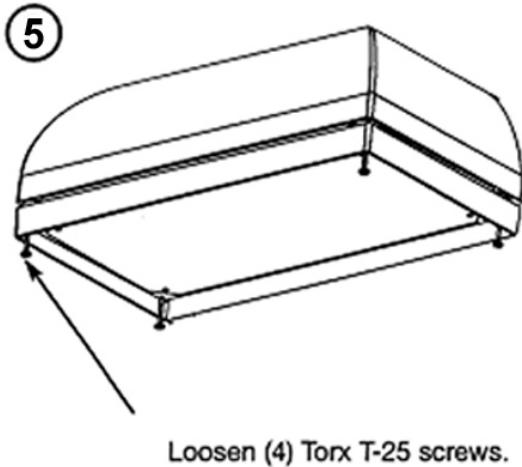


Mounting FT Series 100W Fixture *(continued)*



Lamping FT Series 100W Fixture

CAUTION: Disconnect Power Before Lamping or Relamping.



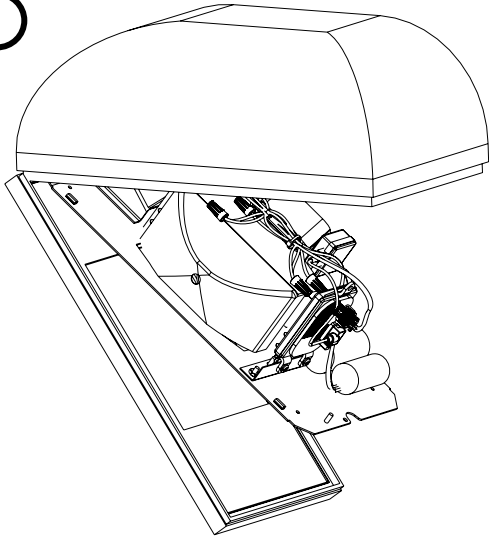
5. Loosen four Torx[®] T-25 screws.

6. Swing hinged Lens Frame open and install/replace lamp.

FTCL Series Fixtures Replacing Emergency Lamp

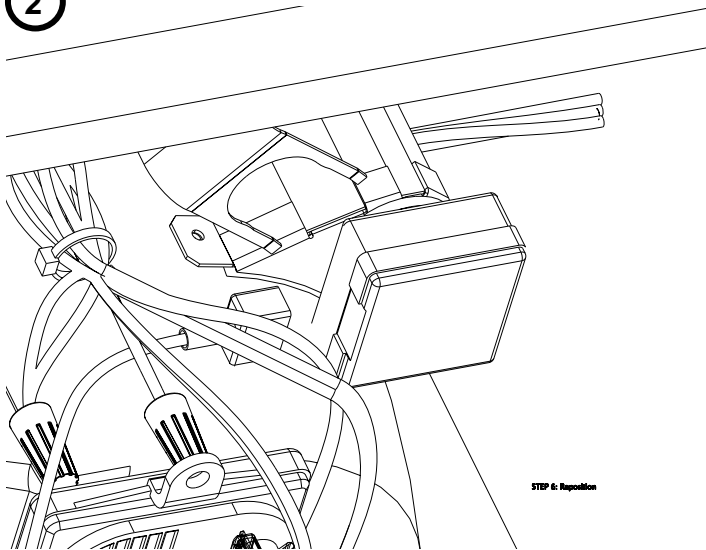
CAUTION: Disconnect Power Before Servicing & Re-Lamping

1



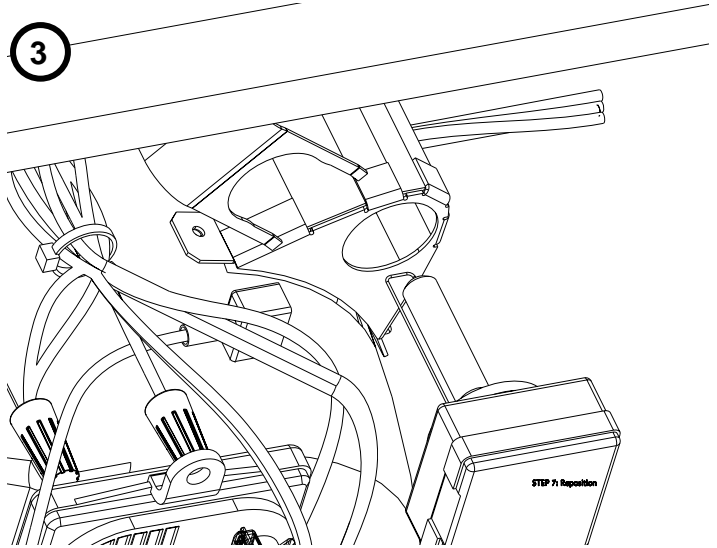
1. Open Lens Frame by removing the four Torx[®] T-25 screws. Further open component chassis assembly by removing single screw on chassis end. Chassis will be supported on opposite end during lamp replacement.

2



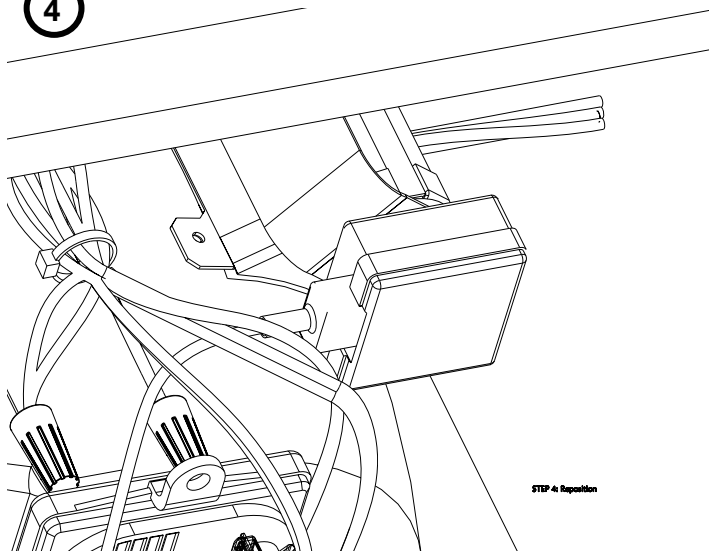
2. Disconnect ballast harness and remove spring clip as shown above.

3



3. Remove lamp from reflector assembly.

4



4. Reverse the process by installing the lamp, inserting the spring retainer clip and connecting the ballast harness wire. Ensure NO wires are allowed to touch the reflector(s).

NOTE: Do NOT touch lamp during installation process or reduction in lamp life may result.