

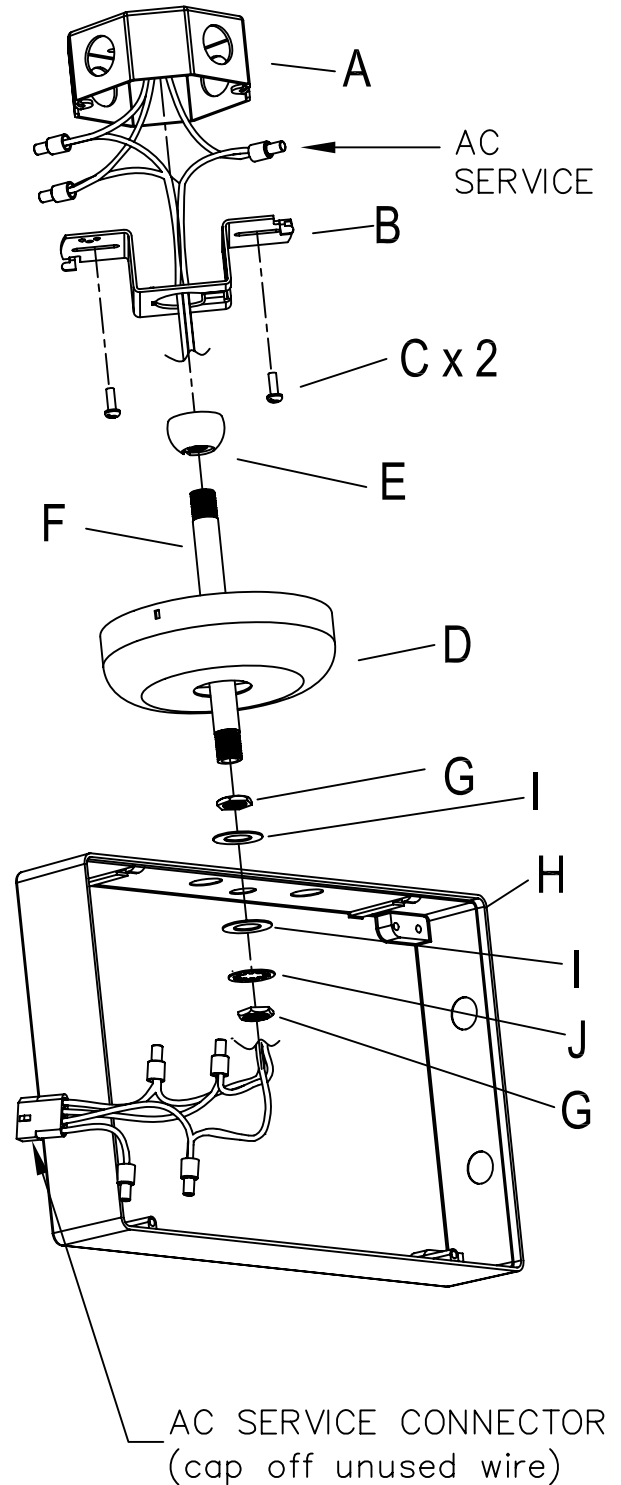
CAST EXIT

PENDANT KIT INSTALLATION INSTRUCTIONS

Follow installation procedure in instructions supplied with unit with the following exceptions:

1. Remove center knockout in housing (H).
2. Assemble one end of pendant stem (F) to housing using locknuts (G) and washers (I) and (J) as shown.
3. Assemble canopy (D), pivot ball (E) and remaining end of pendant stem together as shown.
4. Assemble cross bar (B) to outlet box.
5. Feed an appropriate length of AC service wire through pendant stem assembly and cross bar.
6. Make AC connections at outlet box and snap canopy over cross bar.
7. Complete assembly per unit instructions.

PART CODE	DESCRIPTION	QTY.
A	OUTLET BOX - BY OTHERS	1
B	CROSSBAR	1
C	SCREW - BY OTHERS	2
D	CANOPY	1
E	BALL PIVOT	1
F	PENDANT STEM	1
G	LOCKNUT 1/4 I.P.	2
H	EXIT HOUSING	1
I	FLAT WASHER 1/2" x 7/8"	2
J	LOCK WASHER 1/4 I.P.	1



Follow installation procedure in instructions supplied with unit with the following exceptions:

1. Remove center knockout in backplate (H).
2. Assemble one end of pendant stem (F) to backplate using locknuts (G) and washers (I) and (J) as shown.
3. Assemble canopy (D), pivot ball (E) and remaining end of pendant stem together as shown.
4. Assemble cross bar (B) to outlet box.
5. Feed an appropriate length of AC service wire through pendant stem assembly and cross bar.
6. Make AC connections at outlet box and snap canopy over cross bar.
7. Complete assembly per unit instructions.

PART CODE	DESCRIPTION	QTY.
A	OUTLET BOX - BY OTHERS	1
B	CROSSBAR	1
C	SCREW - BY OTHERS	2
D	CANOPY	1
E	BALL PIVOT	1
F	PENDANT STEM	1
G	LOCKNUT 1/4 I.P.	2
H	UNIT BACKPLATE	1
I	FLAT WASHER 1/2" x 7/8"	2
J	LOCK WASHER 1/4 I.P.	1

