

# SUPER SQUARE II SERIES

By



## SURFACE MOUNTING AND FULLY RECESSED MOUNTING INSTALLATION AND OPERATING INSTRUCTIONS

### IMPORTANT SAFEGUARDS

When using electrical equipment, basic safety precautions should always be followed, including the following:

### READ AND FOLLOW ALL SAFETY INSTRUCTIONS

All servicing should be performed by qualified personnel only.

Do not use this equipment outdoors.

Do not mount near gas or electric heaters.

Equipment should be mounted in locations and at heights where it will not readily be subjected to tampering by unauthorized personnel.

The use of accessory equipment not recommended by the manufacturer may cause an unsafe condition.

Do not use this equipment for other than intended use.

Do not let power supply cords touch hot surfaces.

Do not mount near open flames or sparks.

Do not install equipment in areas of excessive moisture.

**CAUTION:** Halogen cycle lamp(s) are used in this equipment. To avoid shattering: Do not operate lamp in excess of rated voltage, protect lamp against abrasion and scratches and against liquids when lamp is operating, dispose of lamp with care.

Halogen cycle lamps operate at high temperatures. Do not store or place flammable materials near lamp.

**CAUTION:** "To avoid electrical overload, total connected lamp load (factory and field installed) should not exceed output rating."

### SAVE THESE INSTRUCTIONS

#### WARNING

Shut off AC power to branch circuits to which units will be connected. All wiring should be per National Electrical Code and local regulations.

To maintain warranty, equipment with batteries must be installed or placed on charge within prescribed period after shipment.

#### INSTRUCTIONS - INSTALLATION

These units are designed for 120VAC OR 277VAC 60HZ operation.

#### 1A. SURFACE MOUNTING INSTRUCTIONS

1. Prior to mounting to the wall or ceiling, determine the easiest routing for the AC supply cable.
2. Remove lens from unit by inserting blade of screwdriver between lens and test switch side of frame. Lightly pry apart. (See figure 1)
3. Remove reflector by unfastening two (2) #4 retaining screws. (See figure 2)

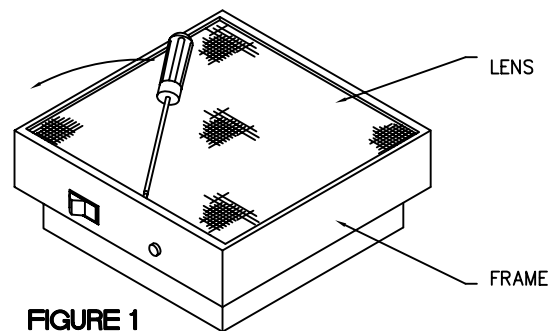


FIGURE 1

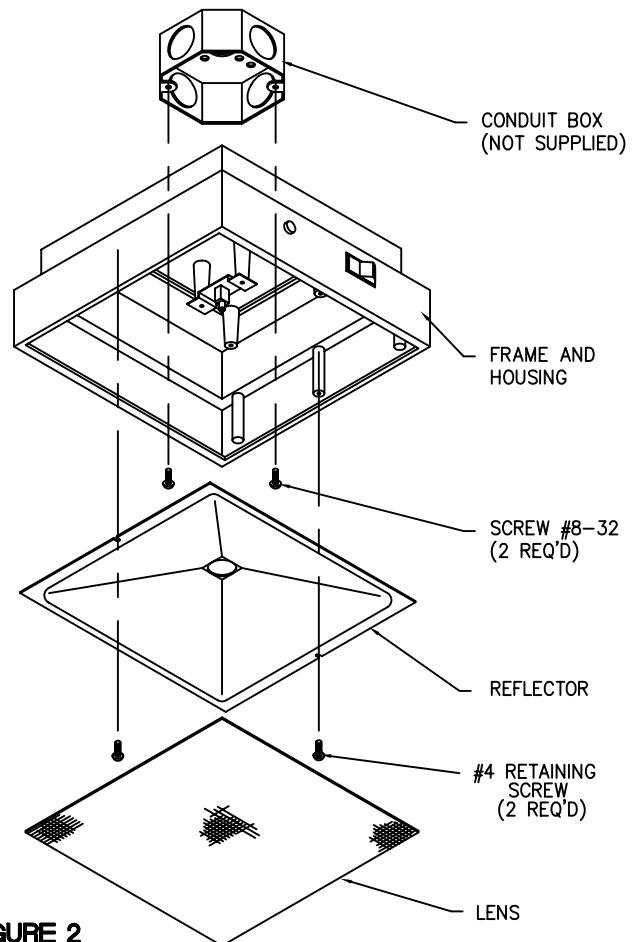


FIGURE 2

# SUPER SQUARE II SERIES

4. Make electrical hookups prior to mounting housing to conduit box. Refer to "INSTRUCTIONS WIRING HOOKUP" below.
5. Mount unit to conduit box.
6. Make battery connection (red lead) from P.C. Board to battery positive terminal/connector. Lamp should illuminate, but may extinguish because battery is shipped nominally discharged.

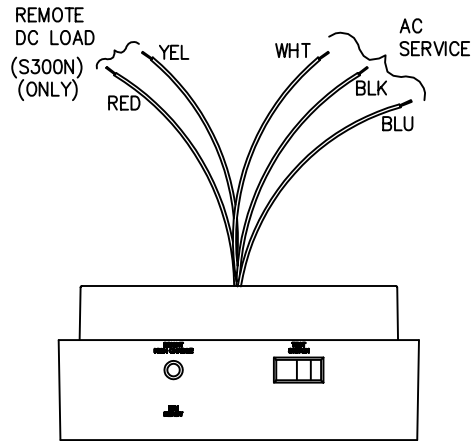


FIGURE 3

## CAUTION:

Do not touch halogen lamps while illuminated as they operate at high temperatures.

### 1B. FULLY-RECESSED MOUNTING ONLY (for grid-type ceilings only)

1. Cut 10-3/4" square hole in ceiling tile (rough opening).
2. Mount suspension bars (furnished by others) across tee bars and over 10-3/4" hole. Suspension bars to be located on 11-1/2" centers.
3. Loosen screws holding mounting brackets to unit. Do not remove screws.
4. Install unit in ceiling and position mounting brackets over suspension bars as shown.
5. Adjust mounting brackets to secure trim ring flush to ceiling tile. Tighten all hardware.
6. Make electrical hookups at this time. Refer to "INSTRUCTIONS WIRING HOOKUP" below.

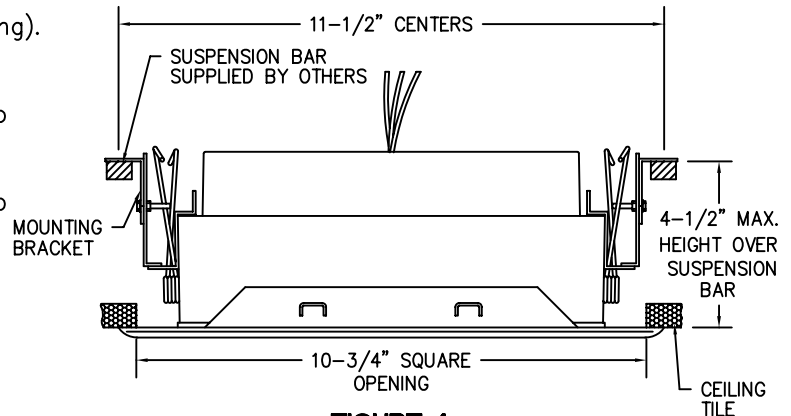


FIGURE 4

**NOTE: MINIMUM CLEARANCE FOR UNIT IN CEILING = 5-1/2"**

### 1C. SEMI-RECESSED MOUNTING ONLY

1. Refer to instruction sheet P/N. 9140050237 supplied with semi-recessed mounting kit P/N. SRK1 for installation of backbox.

### INSTRUCTIONS WIRING HOOKUP

1. Select correct wire from following list for your input voltage:

White Wire – Common  
 Black Wire – 120VAC  
 Blue Wire – 277VAC

#### NOTE:

Unused primary wire must be insulated to prevent shorting.

2. Red Wire: } 6V DC Remote Connections For  
 Yellow Wire: } S300N Only

### INSTRUCTIONS - OPERATING

1. Energize AC to unit and check that pilot lamp is illuminated.
2. Press test switch and verify that pilot lamp shuts off and emergency lamp is illuminated.
3. Leave AC connected for a minimum of 24 hours before performing any abbreviated testing. Full recharge of battery may take up to one (1) week.