

Type No. \_\_\_\_\_  
 Job Name \_\_\_\_\_  
 Catalog No. \_\_\_\_\_



Shown: WL65PA2SC



# Wet-Lok Series

- **NEMA 4X, IP66, Harsh Environment Emergency Lighting**
- **Standard Self-Diagnostics Electronics\***
- **6, 12, and 24 Volt, 25 to 150 Watts\*\***

## Housing

- Constructed of impact-resistant Lexan® with corrosion-resistant hardware
- A one-piece, molded gasket, and unexposed metallic hardware prolong product life in highly corrosive areas
- A hinged, removable cover allows for hands-free wiring
- Housing is rated for use in NEMA 4X and IP66 areas and is additionally UL wet location listed
- A wall mount bracket is supplied standard
- Unit can be column, pole, or I-beam mounted when used with the universal mounting kit accessory item
- The Wet-Lok Series is a Made in the USA product

## Illumination

- Illumination is accomplished with two lamp heads internally mounted on the bottom of the unit for optimum path of egress illumination
- Lamps are held in a molded swivel assembly and are fully adjustable
- Each lamp head utilizes a PAR 36 sealed beam tungsten or halogen lamp
- Full IES file data support is available on-line at [www.lightguard.com](http://www.lightguard.com)

## Smart Charger Electronics

- 120/277 VAC dual voltage input with surge protection standard
- Charging system is microprocessor driven with software embedded diagnostic routine and precision temperature compensation
- See specification sheet L2368 for technical specifications for the electronics
- Surge protection, brownout, AC lockout, and low voltage disconnect features are standard

## Electrical Specifications

**6 Volt and 12 Volt, Standard and 'H' - High Ambient Units**  
 120 VAC, 60 Hz = 0.319 A, 277 VAC, 60 Hz = 0.142 A  
**6 Volt and 12 Volt, 'C' - Cold Ambient and 'E' - Extreme Ambient Units**  
 120 VAC, 60 Hz = 0.683 A, 277 VAC, 60 Hz = 0.305 A  
**24 Volt Models**  
 120 VAC, 60 Hz = 0.507 A, 277 VAC, 60 Hz = 0.227 A

## Warranty

Electronics: 3 years  
 Lead Calcium or Pure Lead Battery: 1 years full, 4 years pro-rata  
 Nickel Cadmium Battery: 5 years full, 5 years pro-rata

## Battery

- The Wet-Lok battery assemblies have been pre-qualified for use based on anticipated ambient temperatures
- Battery chemistries consist of sealed, maintenance-free lead calcium, pure lead, and nickel cadmium
- Batteries supply a minimum of 90 minutes of emergency power at the lowest rated temperature of the model selected without de-rating the fixture

## Smart Charger Self-Testing Diagnostics (optional)

- The Smart Charger diagnostic/charging platform with self-testing mode automatically runs a one-minute self-test every 30 days and a 30-minute test on the sixth and twelfth month. A one-minute or 90-minute test may be initiated via the push to test switch on the unit or by activating the appropriate test command on the optional IR test device.

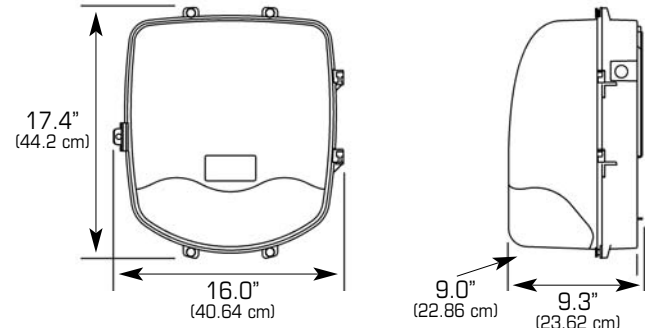
## Code Compliance

- UL 924 listed
- UL wet location listed
- NSF Standard 2 "Splash Zone"
- NEMA 250 (NEMA 4X classification)
- Meets NFPA, NEC, and OSHA illumination standards
- IEC 61951-1 Life Testing (NiCad batteries)
- IEC 529 (60529) IP66
- Model number WL215PF2SC (with available factory options) is UL 924 listed for 8-hour run time in the emergency mode

\*All models incorporate the Smart Charger diagnostics electronics package. Self-testing is a factory installed option.  
 \*\*24 volt system available in 100 watt capacity only

## Dimensions

(See reverse for more dimensions.)

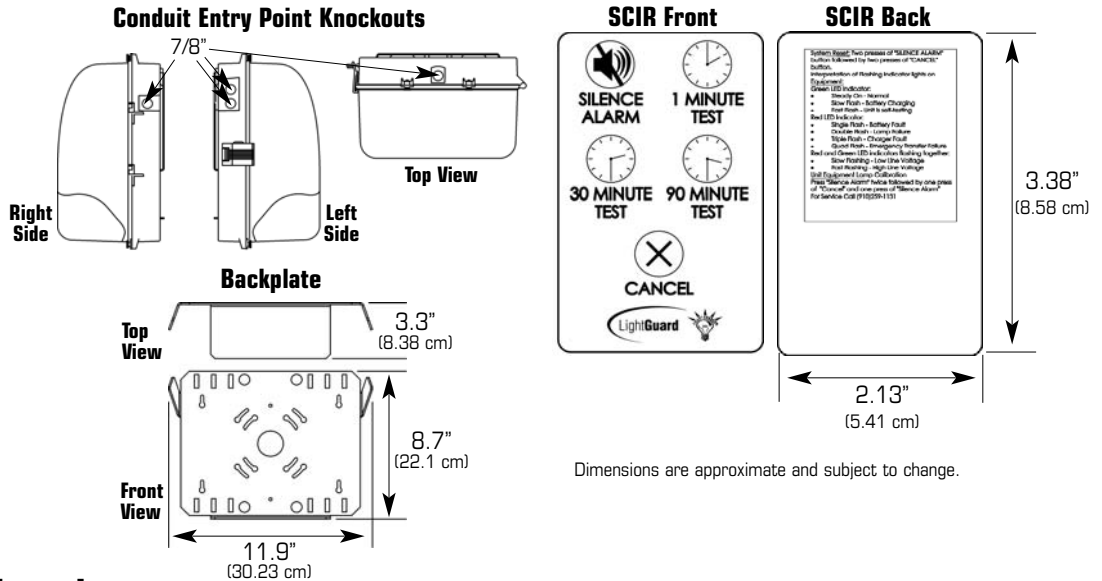


## Ordering Information

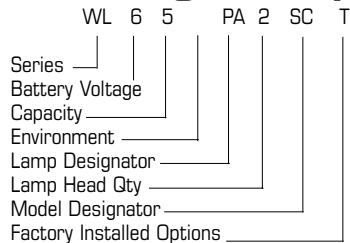
WL							SC		
SERIES	BATTERY VOLTAGE	CAPACITY <sup>1</sup>	ENVIRONMENT***	LAMP DESIGNATOR			LAMP HEAD QTY	MODEL DESIGNATOR	FACTORY INSTALLED OPTIONS
WL = Wet-Lok Series Industrial Emergency Lighting Fixture	6 = 6 Volts DC 2 = 12 Volts DC 4 = 24 Volts DC <sup>1</sup>	2 = 25 Watts 5 = 50 Watts 7 = 75 Watts 1 = 100 Watts <sup>1</sup> 12 = 125 Watts <sup>3</sup> 15 = 150 Watts <sup>3</sup>	See Capacity & Environment for Limited Availability***  Blank = Wet Location Listed (0°C to 40°C) C = Cold Ambient Conditions, Wet Location Listed (-40°C to 40°C) H = High Ambient Conditions, Wet Location Listed (0°C to 55°C) E = Extreme Ambient Conditions, Wet Location Listed (-40°C to 55°C)	6 Volt, PAR 36 Sealed Beam Tungsten PA = 8 Watt PB = 18 Watt PC = 25 Watt PD = 30 Watt	12 Volt, PAR 36 Sealed Beam Tungsten PE = 12 Watt PF = 18 Watt PG = 25 Watt PH = 30 Watt	24 Volt, Sealed Beam Tungsten PO = 50 Watt	0 = No Heads 2 = Two Heads	SC = Smart Charger Self-Diagnostic Electronics	A = Ammeter ACF1 = 120 Volt AC Input Fuse ACF2 = 277 Volt AC Input Fuse ACP1 = 120 Volt AC Disconnect Switch ACP2 = 277 Volt AC Disconnect Switch BDS = Battery Disconnect Switch EX = Special Input Transformer <sup>2</sup> (specify voltage & frequency) T = Self-Testing Diagnostics (non-audible) TA = Audible Self-Testing Diagnostics TD = Time Delay V = Voltmeter
***CAPACITY & ENVIRONMENT SELECTION C = 12V, 100W; 12V, 125W; 12V, 150W H = 6V, 50W; 12V, 50W; 12V, 100W; 12V, 125W; 12V, 150W E = 6V, 50W; 12V, 50W; 12V, 100W; 12V, 125W; 12V, 150W  All other configurations are standard wet location listed from 0°C to 40°C.									

Note: 1) 24 volt systems only available in 100 watt configurations. 2) Certain option combinations may impact UL listing, consult factory. 3) 125 and 150 watt units available in 12VDC configurations only.

ACCESSORIES (Ordered Separately)
NUMK = Universal Mounting Kit (column, pole, I-beam)
SCIR = Smart Charger Infra-Red Remote



## Ordering Example



## Suggested Specification

Furnish and install LightGuard's Wet-Lok emergency lighting unit model \_\_\_\_\_. The unit shall meet Underwriter's Laboratories, Inc. Standard #924 and the National Electrical Code (NEC). The unit shall be third party tested and approved for use in NEMA 4X areas in accordance with the requirements of NEMA 250, third party tested and approved for IP66 areas, third party tested and approved for NSF Standard 2 "Splash Zone", and be additionally UL wet location listed.

**INSTALLATION AND OPERATION** - Unit shall be easily field connected to a 120 or 277 VAC, 60 HZ, unswitched power source. Installation must comply with the NEC as well as other applicable codes. (Emergency Operation Only) - Upon utility power failure or brownout, the unit shall automatically transfer to battery power and maintain the required illumination level for a minimum period not less than 90 minutes at the coldest rated temperature of the unit. Upon restoration of utility power, the charger shall restore the battery to full charge within UL 924 requirements following a rated discharge of not less than 90 minutes.

**ELECTRONICS** - All models shall be provided with LightGuard's Smart Charger self-diagnostics electronics platform. Smart Charger will detect and notify the installer regarding incorrect wiring of the transformer primary and restrict the damaging effects from affecting the printed circuit board. The Smart Charger electronics package shall provide continuous, real-time monitoring of all the critical equipment functions including, but not limited to: line voltage status and condition, charger fault, transfer fault, battery fault, and lamp load fault and notify personnel with a visual indicator sequence. Optional audible diagnostics shall be available from the factory. The optional self-testing software shall satisfy the periodic testing requirements in NFPA 101, Life Safety Code as well as the International Building Code (IBC). The Smart Charger diagnostic/charging platform with self-testing mode automatically runs a one-minute self-test every 30 days and a 30-minute test on the sixth and twelfth month. The Smart Charger circuit shall continuously sample ambient temperature conditions and adjust the charging regime to compensate for typical and dramatic ambient conditions equal to 3mv/°C compensation to maximize the life of the battery. An on-board IR receiver shall be standard and pre-programmed to operate from an optional IR user interface device (available as an accessory item).

**BATTERY** - The battery shall be either a maintenance-free, sealed nickel cadmium, lead calcium, or pure lead battery. The Wet-Lok Series battery shall be pre-qualified based on anticipated ambient temperature conditions. The nickel cadmium battery shall utilize sintered plate construction and polypropylene separators for trouble-free operation in ambient temperatures up to 131°F (55°C) and be tested in accordance with IEC Standard 61951-1. The pure lead battery shall provide trouble-free operation in temperatures up to 131°F (55°C). The lead calcium battery shall provide trouble-free operation in temperatures up to 104°F (40°C). Nickel cadmium batteries shall be supplied with a five year full warranty. Lead calcium and pure batteries shall be supplied with a one year full warranty.

**HOUSING** - The unit housing shall be constructed of impact-resistant Lexan®. The housing color shall be gray.

ALL SPECIFICATIONS SUBJECT TO CHANGE WITHOUT NOTICE



272 West Stag Park Service Road • Burgaw, NC 28425  
(910) 259-1131 • FAX (800) 403-6927  
www.lightguard.com

L2367R6  
3/10 IH