



Type No. _____

Job Name _____

Catalog No. _____



Shown: VP618VVJ962



Vectra Series

- **6 Volt, 14-50 Watts**
- **12 Volt, 25-50 Watts**
- **Maintenance-Free, Sealed Lead Calcium or Nickel Cadmium Batteries**
- **General Duty Emergency Product with Thermoplastic Housing**

Housing

- UL 94 V-0, 5 VA impact resistant, white thermoplastic
- Universal J-box mounting pattern, keyhole slots or shelf mounting
- Available with a wide range of fully adjustable PAR 36 sealed beam tungsten or halogen; wedge base tungsten or halogen lamp heads
- Low profile push-to-test switch

Electronics

- 120/277 VAC dual voltage input capability
- Lead calcium units utilize a solid-state, fully automatic, voltage regulated charger
- Nickel cadmium units utilize a solid-state, constant current charger
- Brownout protection activates lights when AC voltage drops 20% below nominal
- Labor saving AC lockout feature
- Low voltage disconnect switch (LVD) prevents deep battery discharge

Electrical Specifications

- 120 VAC - 0.18 A, 20 W
- 277 VAC - 0.08 A, 20 W

Application

- Commercial locations where a decorative, highly reliable emergency lighting unit is desired
- The Vectra Series meets the Buy American requirements

Warranty

- Electronics: 3 years
- Battery: 1 year full, 4 years pro-rata (lead calcium)
- Battery: 5 years full, 5 years pro-rata (nickel cadmium)

Battery

- Choice of maintenance free, sealed lead calcium or maintenance free, sealed nickel cadmium batteries
 - Lead calcium battery has an expected service life of 5 years with an operating range of 65°F (19°C) to 85°F (30°C)*
 - Nickel cadmium battery has an expected service life of 10 years with an operating range of 20°F (-7°C) to 95°F (35°C)*
 - Nickel cadmium batteries are ideal for high ambient temperature areas
- * Increases or decreases in temperature will affect battery performance and/or capacity. Optimum battery performance realized at 77°F (25°C).

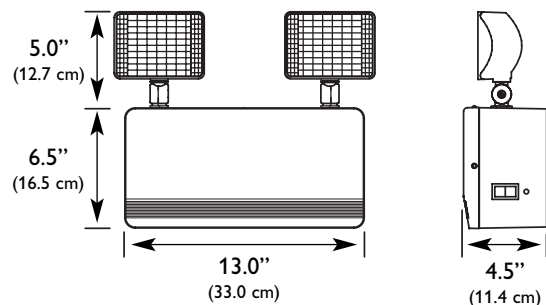
Self-Diagnostics (optional)

- OmniTest Self-Diagnostics includes automatic and manual tests to ensure unit is operating properly, and assists user in meeting code requirements
- Verifies battery voltage and lamp continuity every 10 seconds
- Illuminates lamps and discharges battery for 3 minutes every 30 days. A manual test is available from 1 to 90 minutes.

Code Compliance

- UL 924 listed
- UL 924 damp location listing on lead calcium models only
- NFPA 101, NEC, BOCA, OSHA, and IBC illumination standards

Dimensions



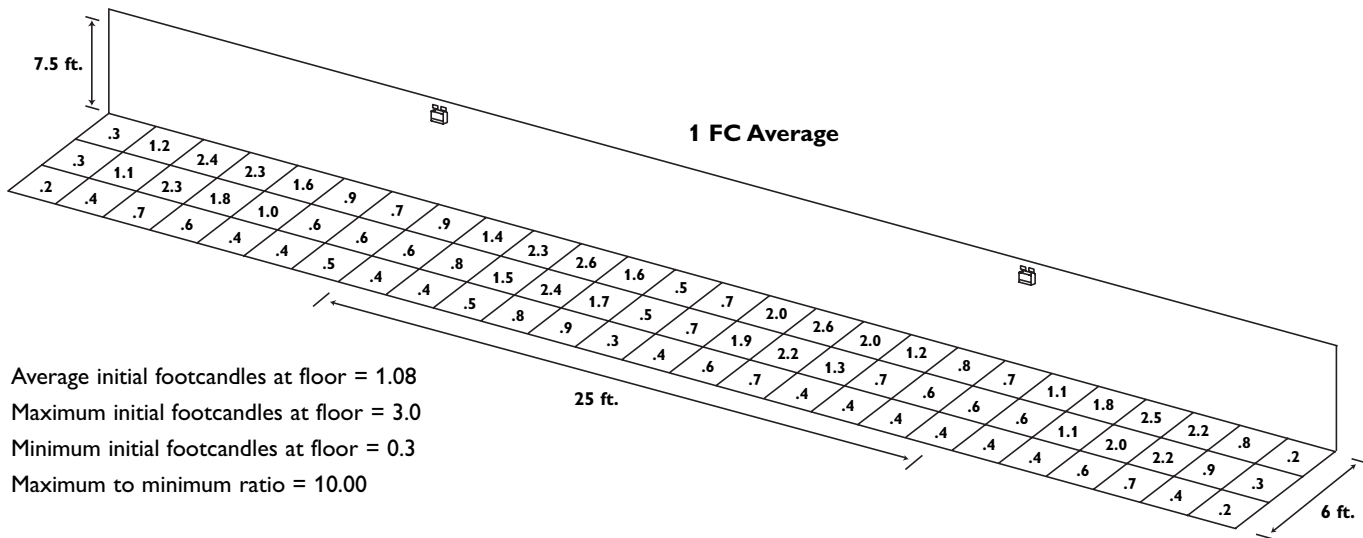
Dimensions are approximate and subject to change.

Ordering Information

VP				W				
SERIES	DC VOLTAGE	BATTERY	DC WATTAGE	HOUSING	HEAD TYPE	# OF HEADS	OPTIONS ¹	
VP = Vectra Series, Thermoplastic	6 = 6 Volt 12 = 12 Volt	Blank = Lead Calcium N = Nickel Cadmium	6 V, Lead Calcium 18 = 18 W 25 = 25 W 36 = 36 W 50 = 50 W 12 V, Lead Calcium 36 = 36 W 50 = 50 W 6 V, Nickel Cadmium 14 = 14 W 18 = 18 W 25 = 25 W 50 = 50 W 12 V, Nickel Cadmium 25 = 25 W 50 = 50 W	W = White	6 V J66 = 5.4 W J76 = 7.2 W J96 = 9.0 W 12 V J912 = 9.0 W J1212 = 12.5 W J1812 = 18.0 W Optional heads available, consult factory or refer to lamp heads page.	3 = Three 2 = Two 1 = One Blank = No Heads	A = Ammeter ² ACF1 = 120 VAC Fuse ACF2 = 277 VAC Fuse ACP1 = 120 VAC Power Switch ACP2 = 277 VAC Power Switch DCP = DC Power Switch EX = Special Input Transformer ¹ (specify voltage & frequency) I = Factory Installed Lamp Heads OT = OmniTest Self-Diagnostics OTAL = OmniTest with Alarm OTTD = OmniTest with Time Delay ³ TD1 = 120 VAC Time Delay ² TD2 = 277 VAC Time Delay ² V = Voltmeter ² DL = Damp Location ⁴	
ACCESSORIES (Ordered Separately) PVS = Polycarbonate Vandal Shield WGS = Wire Guard MSSHELFW = White Mounting Shelf			NOTES: 1) Some option combinations may impact UL listing. Consult factory for specifics 2) Not available with OT, OTAL or OTTD options. 3) 15 minute delay. 4) Available on VP618, VP625, VP636, VP650 and VP1250 only.					

Optics

Wall mounted 7.5' AFF, 'J96' 6 V 9 W Tungsten Lamps Represented



- Average initial footcandles at floor = 1.08
- Maximum initial footcandles at floor = 3.0
- Minimum initial footcandles at floor = 0.3
- Maximum to minimum ratio = 10.00

* The optics layout shown is intended to be used as reference only. Standard reflectances used were 80/50/20. LightGuard is not responsible for site specific conditions that may alter the results.

Suggested Specification

Furnish and install LightGuard's Vectra Series model _____. Upon failure or brownout of utility power, the units shall automatically transfer to battery power and maintain the required illumination for a period of 90 minutes. Upon restoration of utility power, the charger shall restore the battery to full charge per UL 924 standard requirements.

CHARGER - Sealed lead calcium battery units shall be equipped with a solid-state, voltage regulated charger. Nickel cadmium units shall be equipped with a solid-state constant current charger.

BATTERY - The battery shall be maintenance-free, sealed lead calcium or maintenance free, sealed nickel cadmium.

HOUSING - The housing shall be UL 94 V-0, 5 VA high-impact white thermoplastic.

SELF-DIAGNOSTICS (optional) - The unit shall include OmniTest self-diagnostics. OmniTest shall conduct the following automatic tests: battery voltage and lamp continuity every 10 seconds, a 3 minute battery discharge and lamp illumination test every 30 days, and a 30 minute battery discharge and lamp illumination test every 6 months. OmniTest shall also conduct the following manual tests: three minute, 30 minute and 90 minute battery discharge and lamp illumination tests and optional audible alarm test.

ALL SPECIFICATIONS SUBJECT TO CHANGE WITHOUT NOTICE



272 West Stag Park Service Road • Burgaw, NC 28425
 (910) 259-1131 • FAX (800) 403-6927
 www.lightguard.com

L2057R19
 1/12 IH