



Shown: UEW1R



Unison Series

- Edge-Lit Exit Signs
- LED Illumination
- Compact Design
- Contractor-Friendly, Snap-In Connection
- Field-Selectable/Removable Chevrons

Housing

- Contractor-friendly, snap-in connection
- Universal top, side or back mounting for both recessed and surface applications
- UL 94 V-0, 5 VA high impact thermoplastic
- Available with choice of white or black housing finishes
- Edge-lit stencil panel is constructed of high-impact clear acrylic and silk-screened computer generated artwork
- All models are supplied with white and mirrored inserts to complement the standard clear panel
- NFPA-compliant, field-selectable chevrons can be installed and/or removed as needed

Battery

- Maintenance free, sealed nickel cadmium battery has an expected service life of 10 years with an operating range of 20°F (-7°C) to 95°F (35°C)*
 - Nickel cadmium batteries are ideal for high ambient temperature areas
- * Increases or decreases in temperature will affect battery performance and/or capacity. Optimum battery performance realized at 77°F (25°C).

Illumination

- Normal and emergency illumination is accomplished with long lasting, high output Light Emitting Diodes (LEDs)
- LEDs and support electronics have an expected service life of 25 years

Warranty

- Electronics: 3 years
- Battery: 5 years full, 5 years pro-rata

Electronics

AC Only

- 120/277 VAC selectable input with surge protection

Self-Powered

- 120/277 VAC selectable input and input with surge-protection
- Includes low voltage disconnect (LVD), AC lockout installation and brownout protection features
- Constant current charger

Electrical Specifications

AC Only

- Power consumption with red LEDs is 5.16 W
- Power consumption with green LEDs is 4.80 W

Self-Powered

- Power consumption with red LEDs is 8.4 W
- Power consumption with green LEDs is 5.4 W

Code Compliance

- UL 924 listed
- UL damp location listing optional 50°F (10°C) to 104°F (40°C)
- NFPA 101, NEC, BOCA, OSHA, and IBC illumination standards

Application

- Ideal for commercial and retail locations where a universal, attractive and easily installed exit sign with low power consumption is desired
- The Unison Series meets the Buy American requirements

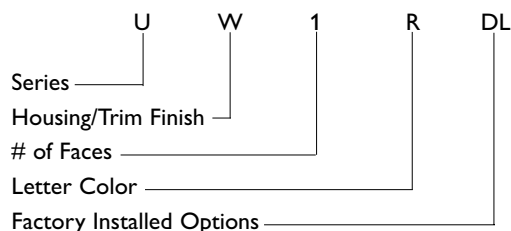
Ordering Information

SERIES	HOUSING/TRIM FINISH	# OF FACES	LETTER COLOR	OPTIONS ¹
U = Unison Series AC LED Edge-Lit Exit UE = Unison Series Self-Powered LED Edge-Lit Exit	B = Black W = White	1 = Single Face 2 = Double Face	R = Red G = Green	2CKT1 = 120 VAC Two Circuit 2CKT2 = 277 VAC Two Circuit BF = Buzzer/Flasher (self-powered only) BZ = DC Buzzer (self-powered only) DL = Damp Location Listing EX = Special Input Transformer (specify voltage and frequency) FA = 24 VDC Fire Alarm Interface FL = Emergency Flasher
NOTES: 1) Some option combinations may impact UL listing, consult factory for specifics.				

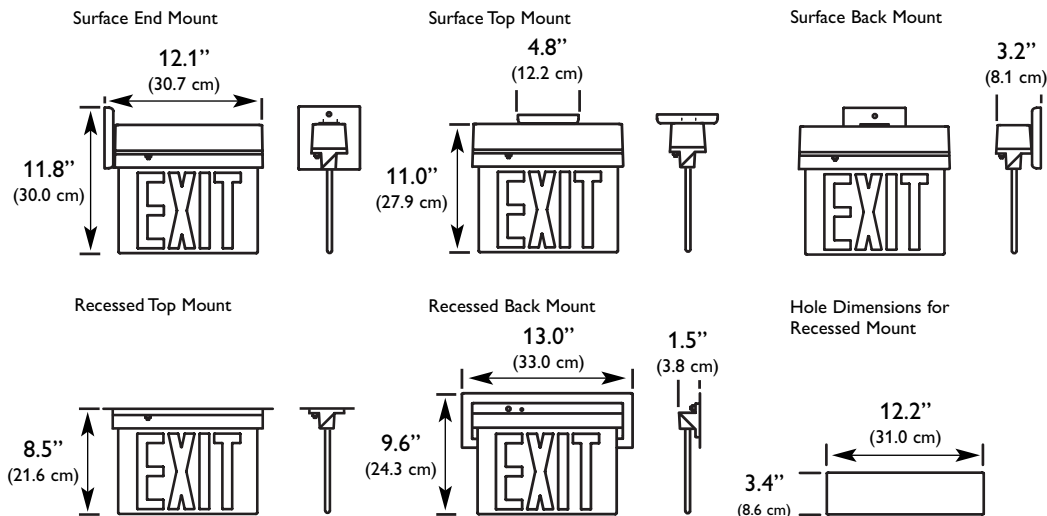
ACCESSORIES (Ordered Separately)
SEPKIT12B* = Pendant Kit, 12" Black SEPKIT12W* = Pendant Kit, 12" White SC** = Bar Hanger Kit

* Custom pendant lengths and colors available, consult factory.
 ** Required for recessed installations.

Ordering Example



Dimensions



Suggested Specification

Furnish and install LightGuard exit sign model _____. The exit shall be listed to Underwriter's Laboratories, Inc. Standard #924 and shall meet the standards of the National Electrical Code (NEC).

INSTALLATION AND OPERATION - Exit shall be easily field connected to a 120 or 277 VAC, 60 Hz, unswitched power source. Installation must comply with the NEC as well as other applicable codes. (Self-Powered Only) - Upon utility power failure or brownout, the unit shall automatically transfer to battery power and maintain the required illumination level for a minimum period of 90 minutes. Upon restoration of utility power, the charger shall restore the battery to full charge within UL 924 requirements following a rated discharge of not more than 90 minutes.

CHARGER (Self-Powered Only) - Product shall utilize a constant current charging system which will maintain the battery at full capacity without the need for periodic exercising or equalization. The following features shall be standard: low voltage disconnect (LVD), brownout protection and AC lockout.

BATTERY (Self-Powered Only) - The battery shall be maintenance free, sealed nickel cadmium utilizing sintered plate construction and polypropylene separators for trouble-free operation in ambient temperatures up to 95°F (35°C). Nickel cadmium batteries are supplied with a five year warranty.

ILLUMINATION - The Unison Series Edge-Lit LED Exit Signs shall incorporate high intensity LEDs. The LEDs shall be designed so that the unlikely outage of one LED will not affect the integrity of the total sign. LEDs shall have a rated life of 25+ years. AC Only version under normal operation shall consume 5.16 W (red) and 5.4 W (green). Self-Powered version shall consume 8.4 W (red) and 5.4 W (green).

HOUSING - The exit sign housing and backbox shall be constructed of UL 94 V-0, 5VA thermoplastic. The exit shall have the flexibility of surface or recessed mounting in the field, and can be changed depending on the installation application. A clear faceplate shall be standard on single face and double face exits. Exit panels shall also be available with white or mirrored background. The exit sign housing shall be white or black.

ALL SPECIFICATIONS SUBJECT TO CHANGE WITHOUT NOTICE



272 West Stag Park Service Road • Burgaw, NC 28425
 (910) 259-1131 • FAX (800) 403-6927
 www.lightguard.com

L2164R16
 1/12 IH