



Shown: XRB



Unison II Series

- **Energy-Saving, Long Life LEDs**
- **Now Available with Self-Diagnostics**
- **Contractor-Friendly, Snap-Together Construction**
- **Durable Thermoplastic Housing**

Housing

- Contractor-friendly, snap-together construction
- UL 94, 5 VA high impact thermoplastic
- Available in black or white
- Universal top, side or back mounting
- Stencil face is easily removed
- Field-selectable chevrons
- No canopy needed for back-to-wall mounting
- Canopy furnished with all models

Battery

- Maintenance free, sealed nickel cadmium battery supplies 90 minutes of emergency power, and has an operating temperature range of 68°F (20°C) to 104°F (40°C)

Illumination

- Normal and emergency illumination is accomplished with long lasting, high output Light Emitting Diodes (LEDs)
- No hot spots or striations
- LEDs and support electronics have an expected service life of 10 years

Installation

- All models are designed with an easy snap together design, and supplied with two faces, a backplate and a canopy making this sign universal to most mounting configurations

Self-Diagnostics (optional)

- Checks charger, LEDs, battery and transformer every five seconds
- Automatic one minute test every month
- Automatic 90 minute test annually
- Coded LED flash signifies failure type

Electronics

AC Only

- 120/277 VAC selectable input

Self-Powered

- 120/277 VAC selectable input and surge protection
- Includes low voltage disconnect (LVD), AC lockout installation and brownout protection features
- Constant current charger

Electrical Specifications

• AC Only

- Red - 0.026A (120 VAC), 0.012A (277 VAC)
- Green - 0.026A (120 VAC), 0.012A (277 VAC)

• Self-Powered

- Red - 0.033A (120 VAC), 0.017A (277 VAC)
- Green - 0.033A (120 VAC), 0.017A (277 VAC)

Code Compliance

- UL 924 listed
- UL damp location listed standard at 68°F (20°C) to 104°F (40°C)
- NFPA 101, NEC, BOCA, OSHA, and IBC illumination standards

Application

- Ideal for locations where a durable, attractive and easily installed exit sign with low power consumption is desired

Warranty

Electronics: 5 years

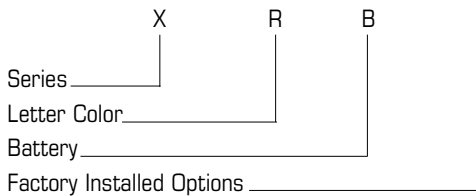
Battery: 5 years full, 5 years pro-rata

Ordering Information

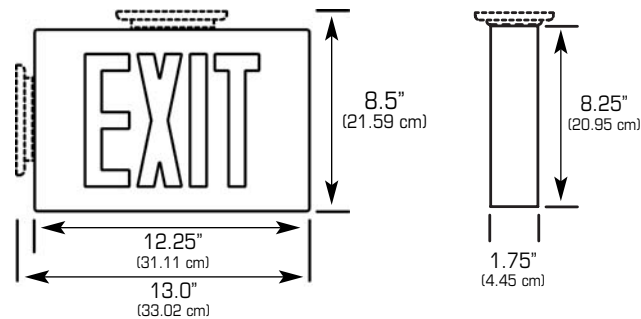
X			
SERIES	LETTER COLOR	BATTERY	FACTORY INSTALLED OPTIONS
X = Unison II Series Thermoplastic LED Exit with White Housing	R = Red LEDs G = Green LEDs	A = AC Only B = Nickel Cadmium Battery	OT = OmniTest Self-Diagnostics B = Black Stencil, Black Housing

NOTE: Standard product is furnished with white housing, white stencil and canopy for universal mounting, single or double face.

Ordering Example



Dimensions



Dimensions Approximate And Subject To Change

Suggested Specification

Furnish and install LightGuard exit sign model _____. The exit shall be listed to Underwriter's Laboratories, Inc. Standard #924 and shall meet the standards of the National Electrical Code (NEC).

INSTALLATION AND OPERATION - Exit shall be easily field connected to a 120 or 277 VAC, 60 hertz, unswitched power source. Installation must comply with the NEC as well as other applicable codes. (Self-Powered Only) - Upon utility power failure or brownout, the unit shall automatically transfer to battery power and maintain the required illumination level for a minimum period of 90 minutes. Upon restoration of utility power, the charger shall restore the battery to full charge within UL 924 requirements following a rated discharge of not more than 90 minutes. The unit shall be damp location listed standard.

CHARGER (Self-Powered Only) - Product shall utilize a constant current charging system which will maintain the battery at full capacity without the need for periodic exercising or equalization.

BATTERY (Self-Powered Only) - The battery shall be maintenance free, sealed nickel cadmium utilizing sintered plate construction. Nickel cadmium batteries are supplied with a five year warranty. The unit shall be capable of operating in temperatures ranging from 68°F (20°C) to 104°F (40°C).

ILLUMINATION - The Unison Series II Thermoplastic Exit Signs shall incorporate high intensity LEDs. The LEDs shall be designed so that the unlikely outage of one LED will not affect the integrity of the total sign. The Unison Series II exit equipped with red LEDs shall consume 0.026A (AC-Only) or 0.033A (Self-Powered). The Unison Series II exit equipped with green LEDs shall consume 0.026A (AC-Only) or 0.033A (Self-Powered).

HOUSING - The exit sign housing shall be constructed of UL 94, 5 VA high impact thermoplastic. The chevrons are field-selectable. The standard housing, stencil and canopy finish shall be white. Black housing is available as an option.

ALL SPECIFICATIONS SUBJECT TO CHANGE WITHOUT NOTICE