

Type No. _____
Job Name _____
Catalog No. _____



Shown: SLELXCSRC



Slim Line Series

Edge-Lit Exit Signs

- **Specification Grade LED**
- **Recessed Ceiling Mount**
- **Maintenance Free, Sealed Nickel Cadmium Battery**

Housing

- 20 gauge steel backbox
- Brushed aluminum face plate
- 24" adjustable bar hangers are supplied standard for mechanical or sheet rock installations

Panel

- Constructed of high impact clear acrylic
- Silk-screened computer generated artwork
- All artwork meets UL and NFPA standards
- Universal chevron kits are supplied for all models

Battery

- Maintenance free, sealed nickel cadmium battery has an expected service life of 10 years with an operating range of 20°F (-7°C) to 95°F (35°C)*
- Nickel cadmium batteries are ideal for high ambient temperature areas

* Increases or decreases in temperature will affect battery performance and/or capacity. Optimum battery performance realized at 77°F (25°C).

Application

- Ideal for commercial and retail locations where a low profile, architectural grade exit sign is desired
- The Slim Line Series meets the Buy American requirements

Warranty

- Electronics: 5 years
- Battery: 5 years full, 5 years pro-rata

Electronics

AC Only

- 120/277 VAC selectable input

Self-Powered

- 120/277 VAC selectable input
- 90 minute operation in emergency mode
- Low voltage disconnect (LVD) protects battery from deep discharge
- AC lockout installation feature
- Brownout protection
- AC indicator light and test switch
- Solid-state charging circuitry

Electrical Specifications (120 VAC / 277 VAC)

- AC only: red - 7.06 watts / 7.71 watts
green - 5.22 watts / 5.86 watts
- Self-Powered: red - 6.67 watts / 7.28 watts
green - 5.1 watts / 5.73 watts

Code Compliance

- UL 924 and 1570
- NFPA 101, NEC, BOCA, OSHA, and IBC illumination standards

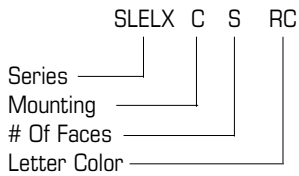
Slim Line Series Edge-Lit Exits

Ordering Information

C			
SERIES	MOUNTING	# OF FACES	LETTER COLOR
AC Only SDDLX = 120/277 VAC Self-Powered SLELX = 120/277 VAC	Recessed C = Ceiling Mount	S = Single Face D = Double Face	RC = Red on Clear ¹ GC = Green on Clear ¹ RM = Red w/ Mirrored GM = Green w/ Mirrored

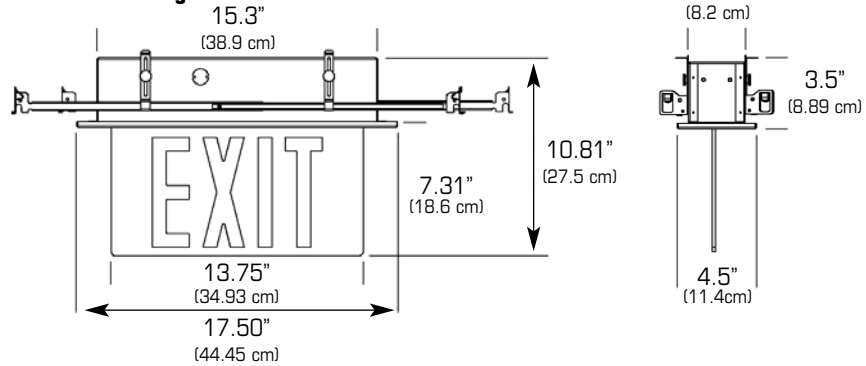
NOTES: 1) Double face not available with "red on clear" or "green on clear" panel selections.

Ordering Example



Dimensions

Recessed Ceiling



Dimensions are approximate and subject to change.

Suggested Specification

Furnish and install LightGuard's Slim Line Series model _____. The exit shall be listed to Underwriter's Laboratories, Inc. Standard #924 and shall meet the standards of the National Electrical Code (NEC).

INSTALLATION AND OPERATION - Exit shall be easily field connected to a 120 or 277 VAC, 60 hertz, unswitched power source. Installation must comply with the NEC as well as other applicable codes. (Self-Powered Only) - Upon utility power failure or brownout, the unit shall automatically transfer to battery power and maintain the required illumination level for a minimum period of 90 minutes. Upon restoration of utility power, the charger shall restore the battery to full charge within UL 924 requirements following a rated discharge of not more than 90 minutes.

CHARGER (Self-Powered Only) - Product shall utilize a constant current charging system which will maintain the battery at full capacity without the need for periodic exercising or equalization. The following features shall be standard: Low voltage disconnect (LVD), brownout protection and AC lockout.

BATTERY (Self-Powered Only) - The battery shall be maintenance free, sealed nickel cadmium.

ILLUMINATION - The Slim Line LED Exit shall be illuminated by energy-saving LEDs. The AC only LED exit shall consume 7.06 watts (red) or 5.22 watts (green) for the AC only version, and 6.67 watts (red) or 5.1 watts (green) for the Self-Powered version.

HOUSING - The recessed mount exit sign shall have a 20 gauge corrosion protected steel backbox. The faceplate shall be constructed of 20 gauge brushed aluminum. The exit panel shall be constructed of clear acrylic with silk-screened letters. Double face shall include a spacer plate. 24" adjustable bar hangers are supplied standard for mechanical or sheet rock installations.

ALL SPECIFICATIONS SUBJECT TO CHANGE WITHOUT NOTICE



272 West Stag Park Service Road • Burgaw, NC 28425
 (910) 259-1131 • FAX (800) 403-6927
 www.lightguard.com

L2032R21
 10/10 IH