



Type No. _____

Job Name _____

Catalog No. _____



Shown: LightSTAR

LightSTAR

Features

- Dual circuit configuration for 120 V/277 V loads
- 20 A load capacity
- Pre-wired, color coded leads
- NEMA 1 enclosure
- Status indicator lights
- Test switch
- ETL listed to UL 924 standards
- HID, fluorescent and incandescent lamp capability
- Universal, voltage sensing circuitry (operated at 120 V/277 V, 60 Hz)

Electronics

- 60.0 Hz - 120V/277V
- The green “Utility” indicator light is illuminated when the lighting loads are controlled by their normal mode switching device
- The red “Emergency” indicator light is illuminated when the normal mode switching device is disabled and the lighting loads are in emergency mode

Warranty

- Warranted against defects in material and workmanship for a period of one year from date of shipment

Overall Characteristics

- When used with an emergency power source (i.e. LightGuard Centaurus Series UPS, generator) the LightSTAR allows independent control (occupancy sensor, photocell, wall switch, etc.) of luminaires during normal power conditions
- The LightSTAR will automatically override control of selected luminaires and insure their illumination in the event of a power failure
- The LightSTAR is capable of switching two separate 20 A circuits at 120 VAC/277 VAC, or one 2 pole 20 A circuit at 208 VAC/240 VAC

Application

- Conference Rooms
- Classrooms
- Auditoriums
- Exterior Egress
- Any switchable luminaire that supplies emergency illumination for life safety

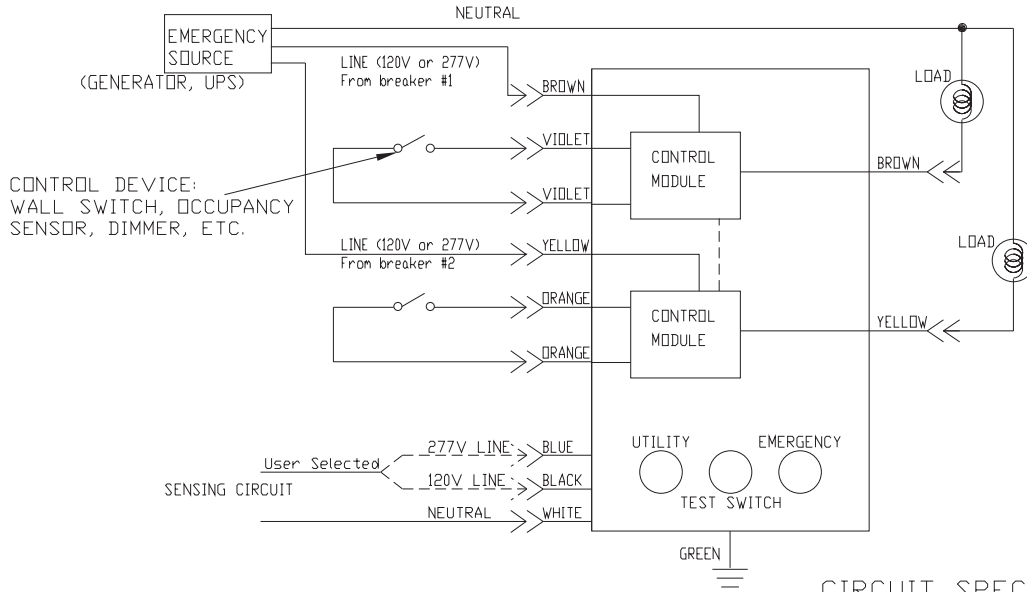
Housing

- Enclosure constructed of 3-gang masonry box fabricated from 16 gauge galvanized steel
- Acid resistant, off-white powder coat finish
- Faceplate made of 18 gauge galvanized steel
- Pre-wired, color coded leads are routed through the attached 6' flexible conduit facilitating recessed drywall installation

Ordering Information

SERIES
LightSTAR = LightGuard Light Switch Transfer Automatic Relay

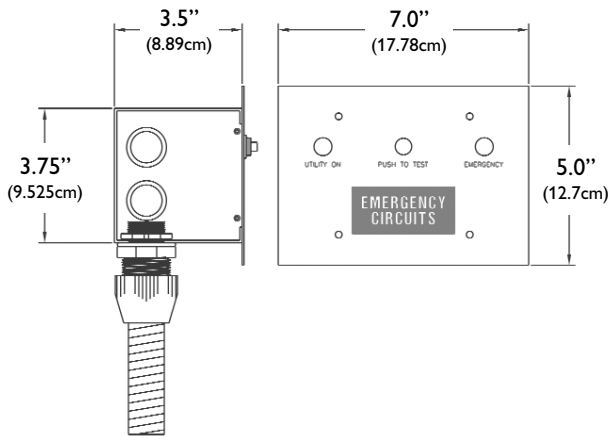
System One-Line Diagram



CIRCUIT SPECIFICATIONS:

VOLTAGE RATING:
 Sensing circuit: 120Vac or 277Vac
 Load: Up to 277Vac; 20A Per Pole

Dimensions



Suggested Specification

Furnish and install LightGuard's Light Switch Transfer Automatic Relay known as LightSTAR. Emergency egress lighting shall be provided by normal lighting loads equipped with the Light Switch Transfer Automatic Relay (LightSTAR) and supplied by an uninterruptible power supply, interruptible power supply or a generator. The LightSTAR shall by-pass the connected switching means and energize the associated loads upon loss of utility power. The LightSTAR shall be composed of a utility indicator light, an emergency indicator light, a momentary test switch, a relay switching circuit and a utility sensing circuit that operates at 120 V/277 V, 60 Hz. The LightSTAR shall switch two separate single pole lighting loads up to 20 A at 120 V/277 V or one double pole lighting load up to 20 A at 208 V/240 V. The LightSTAR shall be ETL listed to the UL 924 standards for emergency lighting.

ALL SPECIFICATIONS SUBJECT TO CHANGE WITHOUT NOTICE



272 West Stag Park Service Road • Burgaw, NC 28425
 (910) 259-1131 • FAX (800) 403-6927
 www.lightguard.com