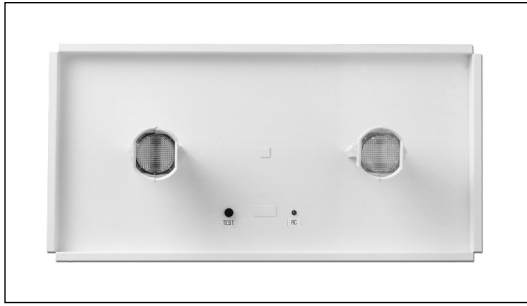




Type No. _____

Job Name _____

Catalog No. _____



CPL Models feature the "H", "D" or "J" lamp heads. Maximum protrusion below the ceiling is less than 6". Can accommodate up to 4 lamp heads.



Ceil-Pack II Series

- **6 and 12 Volt Recessed Unit for Mechanical Ceilings**
- **Maintenance Free, Sealed Lead Calcium or Nickel Cadmium Battery**

Housing

- 18 gauge steel recessed box and faceplate
- Selection of tungsten or halogen lamps include "H", "D", or "J" lamp heads
- Up to four lamp heads can be mounted on units
- White epoxy powder coat finish

Electronics

- 120/277 VAC dual voltage input capability
- High performance, constant current charger restores batteries to full charge within UL 924 requirements
- Brownout protection, AC lockout and low voltage disconnect features
- AC indicator lamp and test switch

Electrical Specifications

- 120 VAC - 0.150 A, 18 W
- 277 VAC - 0.065 A, 18 W

Battery

- Maintenance free, sealed lead calcium battery has an optimum operating range of 65°F (19°C) to 85°F (30°C)*
- Maintenance free, sealed nickel cadmium battery provides optimum performance in higher ambient temperatures, with an optimum operating range of 20°F (-7°C) to 95°F (35°C)*

* Increases or decreases in temperature will affect battery performance and/or capacity. Optimum battery performance realized at 77°F (25°C).

Warranty

- Electronics: 3 years
- Battery: 1 year full, 4 years pro-rata (lead calcium)
- Battery: 15 years full, 5 years pro-rata (nickel cadmium)

Application

- Commercial locations where a low profile, emergency lighting unit is needed to install flush with ceiling grid
- Designed for mechanical ceilings
- The Ceil-Pack II Series meets the Buy American requirements

Self-Diagnostics (optional)

- OmniTest Self-Diagnostics includes automatic and manual tests to ensure unit is operating properly, and assists user in meeting code requirements
- Verifies battery voltage and lamp continuity every 10 seconds
- Illuminates lamps and discharges battery for 3 minutes every 30 days. A manual test is available from 1 to 90 minutes.

Code Compliance

- UL 924 listed
- NFPA 101, NEC, BOCA, OSHA, and IBC illumination standards
- Chicago Approved City Plan No. 1879E

Operation

DC Volts	Unit	Sugg. Head	Watts to 87½ of Rated Voltage*			
			1½ hrs.	2 hrs.	4 hrs.	8 hrs.
6	Lead Calcium CPL625	H126W	25.0	19.0	9.5	—
		CPL650	50.0	37.5	19.0	10.0
		CPL1250	50.0	37.5	19.0	10.0
12	Nickel Cadmium CPN614	H76W	14.0	10.5	—	—
		CPN628	25.0	19.0	9.5	—
		CPN1225	25.0	19.0	9.5	—
		CPN1250	50.0	37.5	19.0	10.0
		H1212W	50.0	37.5	19.0	10.0

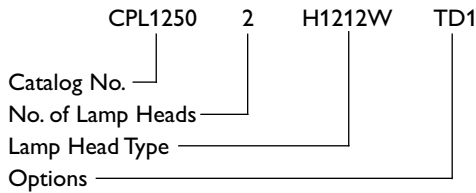
* Per NEC Specifications

Ordering Information

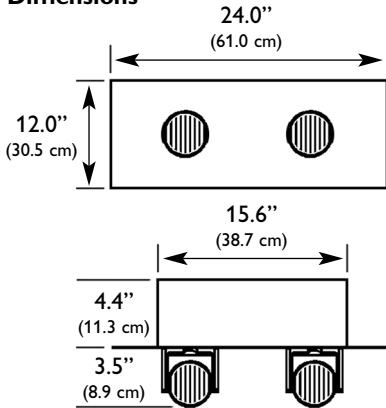
CATALOG NO.	NO. OF LAMP HEADS	LAMP HEAD	OPTIONS ¹
Lead Calcium Units CPL625 = 6 V, 25 W CPL650 = 6 V, 50 W CPL1250 = 12 V, 50 W Nickel Cadmium Units CPN614 = 6 V, 14 W CPN628 = 6 V, 25 W CPN1225 = 12 V, 25 W CPN1250 = 12 V, 50 W	4 = Four 3 = Three 2 = Two 1 = One 0 = No Heads	See Lamp Head Selection Chart Below	A = Ammeter ² ACF1 = 120 VAC Fuse ACF2 = 277 VAC Fuse OT = OmniTest Self-Diagnostics OTAL = OmniTest with Alarm OTTD = OmniTest with Time Delay ³ TD1 = 120 VAC Time Delay ^{2,3} TD2 = 277 VAC Time Delay ^{2,3} V = Voltmeter ²

NOTES:
 1) Some option combinations may impact UL listing. Consult factory for specifics.
 2) Not available with OT, OTTD or OTAL options.
 3) 15 minute delay.

Ordering Example



Dimensions



Lamp Head	Height "H"
H	3.5" (8.9 cm)
D	6.0" (15.2 cm)
J	5.0" (12.7 cm)

Model	Weight
CPL625	22 lbs. (10.0 kg)
CPL650	26 lbs. (11.8 kg)
CPL1250	26 lbs. (11.8 kg)
CPN614	20 lbs. (9.1 kg)
CPN628	22 lbs. (10.0 kg)
CPN1225	22 lbs. (10.0 kg)
CPN1250	26 lbs. (11.8 kg)

Dimensions are approximate and subject to change.

Lamp Head Selection

The following lamp heads are available for use with the CPL Series. Add order code above.

Type	Wattage	Order Code	
 "H" Head Thermoplastic	6 Volt, Halogen	7.0 12.0	
	12 Volt, Halogen	12.0	
 "D" Head Thermoplastic Wedge Base	6 Volt, Tungsten	5.4 7.2 9.0	
	6 Volt, Halogen	8.0 10.0 12.0	
	12 Volt, Tungsten	9.0 12.5 17.9	
	12 Volt, Halogen	12.0	
	 "D" Head Thermoplastic Par 36 Sealed Beam	6 Volt, Tungsten	8.0
		6 Volt, Halogen	8.0 12.0
12 Volt, Tungsten		12.0 18.0 25.0	
 "J" Head Thermoplastic Wedge Base	6 Volt, Tungsten	5.4 7.2 9.0	
	12 Volt, Tungsten	9.0 12.5 18.0	

Suggested Specification

Furnish and install LightGuard's Ceil-Pack II Series model _____. The emergency lighting unit shall be listed to Underwriters Laboratories, Inc. Standard #924 and shall meet the standards of the National Electrical Code.

OPERATION - Upon failure or brownout of utility power, the units shall automatically transfer to battery power and maintain the required illumination for a period of 90 minutes. Upon restoration of utility power, the charger shall restore the battery to full charge per UL 924 standard requirements.

CHARGER - Sealed lead calcium battery units shall be equipped with a solid-state, constant voltage type charger with a current-limited charge rate. Charger shall provide a charging voltage accurate to within 0.05 V of set voltage. Nickel cadmium battery units shall utilize a solid-state, constant current charger.

BATTERY - The battery shall be maintenance-free, sealed lead calcium or sealed nickel cadmium.

HOUSING - The housing shall include a recessed box and faceplate constructed of 18 gauge steel with a white epoxy powder coat finish. Unit shall be sized to install flush into a rectangular grid ceiling and provide illumination via Lightguard's exclusive "H" Head, or round or rectangular thermoplastic heads with Par 36 sealed beam tungsten or halogen, or wedge base tungsten or halogen lamps.

ALL SPECIFICATIONS SUBJECT TO CHANGE WITHOUT NOTICE



272 West Stag Park Service Road • Burgaw, NC 28425
 (910) 259-1131 • FAX (800) 403-6927
 www.lightguard.com

L2025R18
 4/12 IH