

IMPORTANT SAFEGUARDS

When using electrical equipment, basic safety precautions should always be followed, including the following:

READ AND FOLLOW ALL SAFETY INSTRUCTIONS

All servicing should be performed by qualified personnel only.

Do not use this equipment outdoors.

Do not mount near gas or electric heaters.

Do not mount near open flames or sparks.

Equipment should be mounted in locations and at heights where it will not readily be subjected to tampering by unauthorized personnel.

The use of accessory equipment not recommended by the manufacturer may cause an unsafe condition.

Do not use this equipment for other than intended use.

The battery supplied with this equipment is a sealed maintenance free lead calcium battery. Do not attempt to service this battery.

CAUTION: Halogen cycle lamp(s) are used in this equipment. To avoid shattering: Do not operate lamp in excess of rated voltage, protect lamp against abrasion and scratches and against liquids when lamp is operating, dispose of lamp with care.

Halogen cycle lamps operate at high temperatures. Do not store or place flammable materials near lamp.

CAUTION: To avoid electrical overload, total connected lamp load (factory and field installed) should not exceed output rating.

SAVE THESE INSTRUCTIONS WARNING

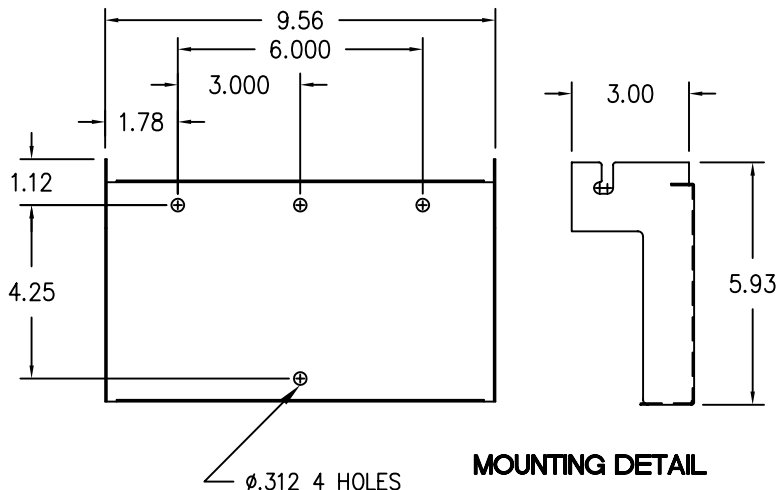
Shut off AC power to branch circuits to which units will be connected. All wiring should be per National Electrical Code and local regulations.

INSTALLATION-INSTRUCTIONS

The F85 is intended for surface mounting only and is suitable for 120VAC or 277VAC, 60 Hz. operation.

1. Prior to mounting cabinet to wall, backout screws(2) on sides of cabinet enough to swing open cover.
2. Remove necessary hole plugs to install lampheads.
3. Install lampheads to cover per instructions provided with lampheads. See figure 2

4. Connect lamphead leads, one lead to load (+) terminal, the other lead to Load (-) terminal on P.C. Board. See Figure 3
5. Remove appropriate knockout located on sides of cabinet to accept AC supply.
6. Mount cabinet directly to wall or use optional mounting plate MBF(SEE MOUNTING DETAIL).



CAUTION: Do not connect AC until battery is installed.

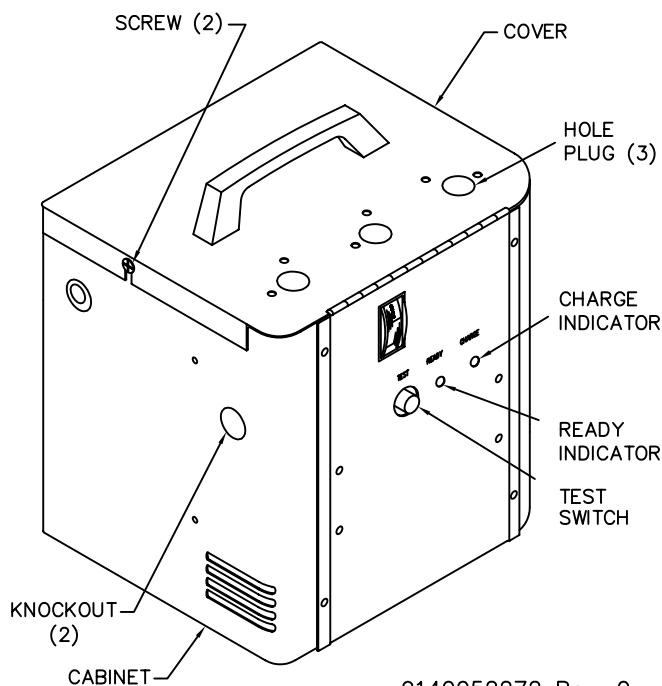
7. Make electrical hookups at this time as follows:

120 VAC Operation

White Wire -Common
Black Wire -120V Line
Red Wire -Cap Off
Green Wire -Ground

277 VAC Operation

White Wire -Common
Black Wire -Cap Off
Red Wire -277V Line
Green Wire -Ground



F85

- Install battery (1000010226) in battery chamber. See figure 4.
DO NOT LIFT BY TERMINALS.

- Connect battery (+) lead to Batt. POS. terminal and battery (-) lead to Batt. NEG. terminal on P.C. Board. See Figure 3

WARNING: The unit will be damaged if battery is connected improperly.

- Place Ready-Standby Switch, located on P.C. Board, to Ready position.
- Energize AC to unit. The red indicators should light.
- Press Test Switch, located on P.C. Board. The lampheads should light.
- Close cover and retighten screws on sides of cabinet.

OPERATIONS

- If the normal AC supply fails emergency lighting will be provided automatically by the F85. Check operation by pressing the test switch.
- The solid-state pulse type charger continually senses the battery voltage and will provide a rate of charge depending on the battery's state of charge. After any discharge, the battery will automatically be returned to full charge and maintained at that level.
- A fully charged battery will be indicated by pulsating red charge indicator light. After operation of test switch or after a power outage the red indicator light will glow brightly indicating that the battery is receiving a high rate of charge. The indicator light will be lit brightly for only a few minutes at a time unless the battery has been discharged by an extended power outage.
- READY switch can be placed in STANDBY when emergency lighting protection is not required; e.g. during a power failure when the need for light is over or prior to planned power outages to prevent excessive battery discharges. Do not disconnect the AC as this disconnects the charger.
- Leave AC connected for a minimum of 24 hours before performing any abbreviated testing. Full recharge of battery may take up to one (1) week.

MAINTENANCE:

The F85 unit should be tested periodically by interrupting the AC Power and observing that all lampheads remain lit for rated time period.

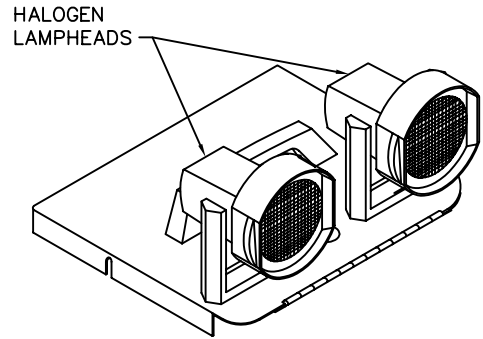


FIGURE 2

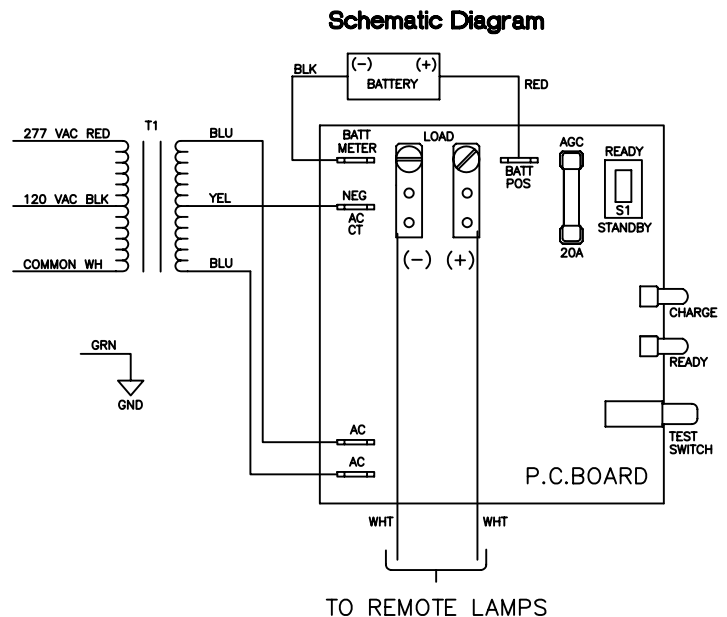


FIGURE 3

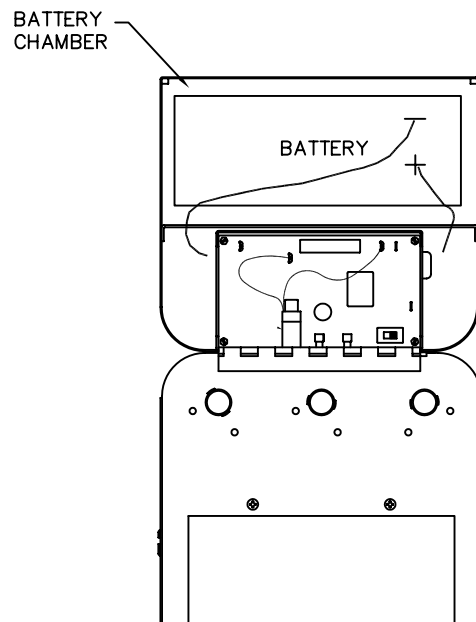


FIGURE 4