

SLDLX SERIES

By



120/277VAC
AC RECESSED LED EDGELIT EXIT

INSTALLATION AND OPERATING INSTRUCTIONS

IMPORTANT SAFEGUARDS

When using electrical equipment, basic safety precautions should always be followed, including the following:

READ AND FOLLOW ALL SAFETY INSTRUCTIONS

All servicing should be performed by qualified personnel only.

Do not use this equipment outdoors.

Equipment should be mounted in locations and at heights where it will not readily be subjected to tampering by unauthorized personnel.

The use of accessory equipment not recommended by the manufacturer may cause an unsafe condition.

Do not let power supply cords touch hot surfaces.

Do not mount near gas or electric heaters.

Do not mount near open flames or sparks.

Do not install equipment in areas of excessive moisture

Do not use this equipment for other than intended use.

SAVE THESE INSTRUCTIONS

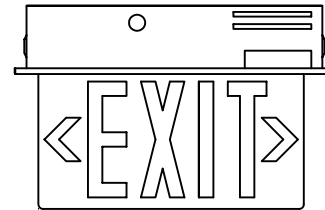
INSTRUCTION INSTALLATION

SLDLX Series Exits are intended for ceiling or wall recessed mounting. They are suitable for 120VAC or 277VAC, 60HZ operation. Determine mounting method required and install using following instructions. (See Figure 1)

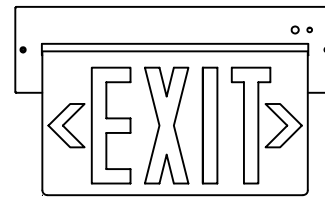
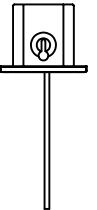
WARNING

Shut off AC power to branch circuits to which units will be connected. All wiring should be per National Electrical Code and local regulations.

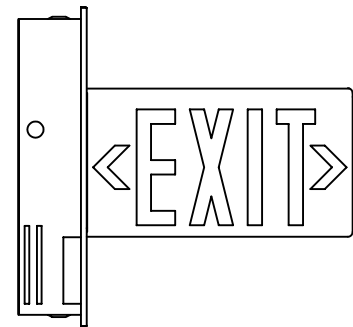
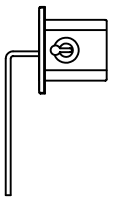
1. Remove chassis assembly from backbox by removing screw at each end. Save screws. (See Figure 3)
2. Remove appropriate 7/8" knockout in backbox to accept AC supply.
3. Mount backbox according to "Backbox Mounting Instructions" on page 3 and supply AC service.



CEILING RECESSED



HORIZONTAL WALL RECESSED



VERTICAL WALL RECESSED

FIGURE 1
TYPICAL INSTALLATIONS

SLDLX SERIES AC RECESSED LED EDGELIT EXIT

4. Disconnect 4 circuit AC connector from mating connector on chassis assembly and make connections to AC service as follows:

120 VAC OPERATION

Black Wire - 120V Line
 White Wire - Common
 Green Wire - Ground

277V VAC OPERATION

Blue Wire - 277V Line
 White Wire - Common
 Green Wire - Ground

Unused primary wire must be insulated to prevent shorting.

5. If Fire Alarm Flasher option is used:
 -Connect RED wire to 24VDC POSITIVE
 -Connect YELLOW wire to 24VDC NEGATIVE
 Use wire nuts for connection, (not supplied)
6. Reconnect 4 circuit connector from chassis assembly to AC supply. Replace chassis assembly (to replace correctly, make certain that wire through hole on chassis is positioned opposite knockout hole inside backbox) and secure with saved screws. (Figure 3)
7. Secure (2) screws to faceplate/panel assy. with o-rings supplied and assemble faceplate/panel assy. to backbox. (See Figure 2).
8. Energize AC circuit.

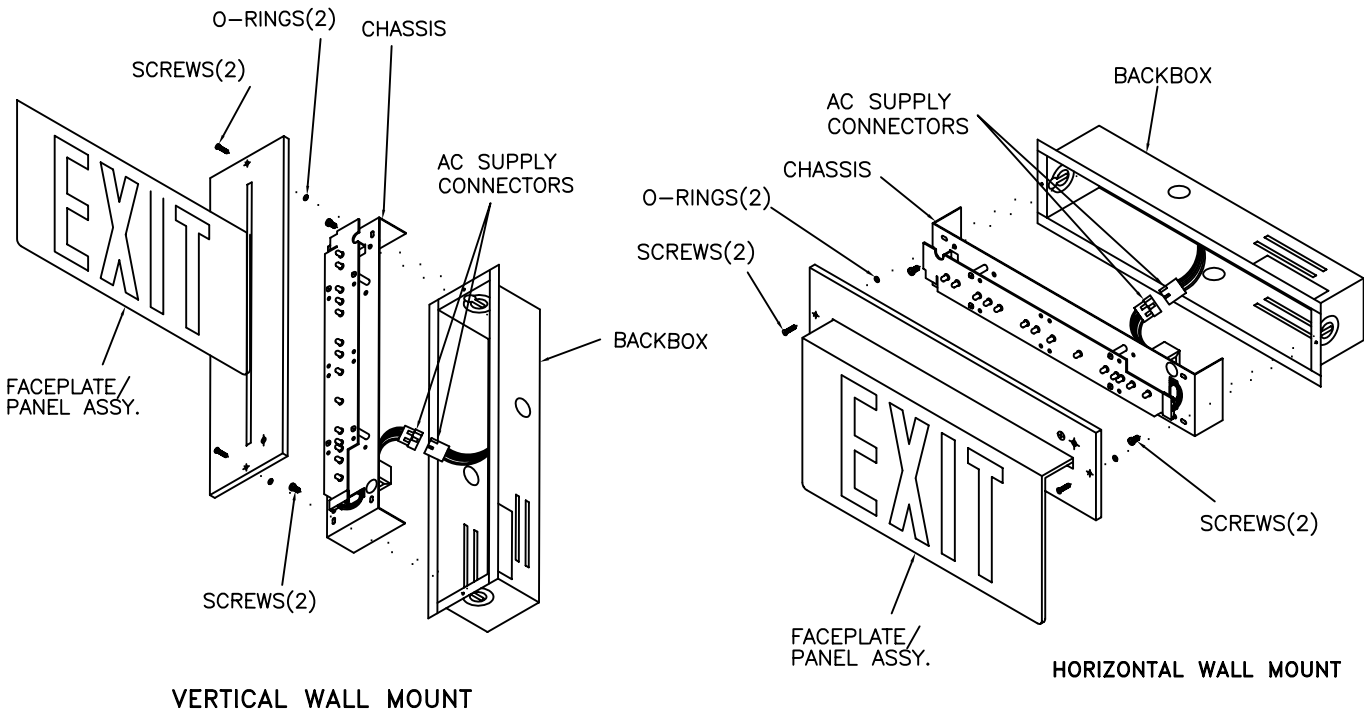
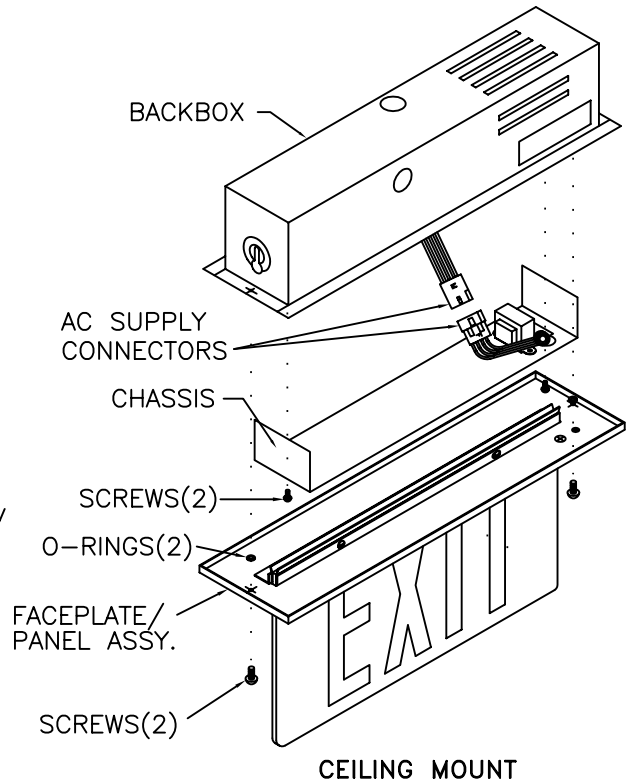


FIGURE 2

SLDLX SERIES AC RECESSED LED EDGELIT EXIT

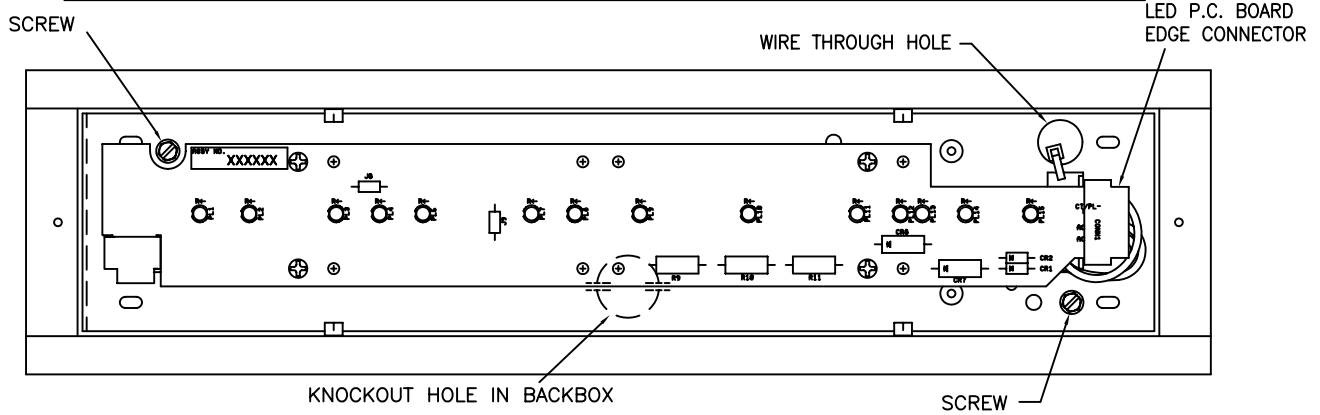


FIGURE 3

BACKBOX MOUNTING INSTRUCTIONS

Suspended Tile Ceilings

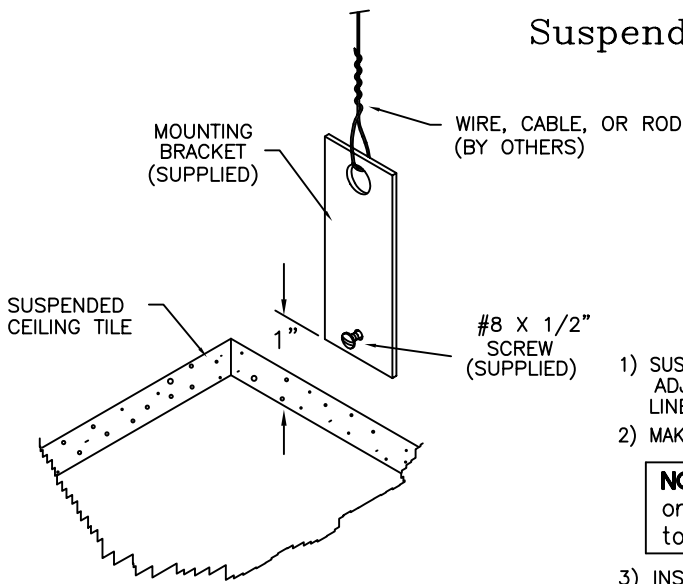
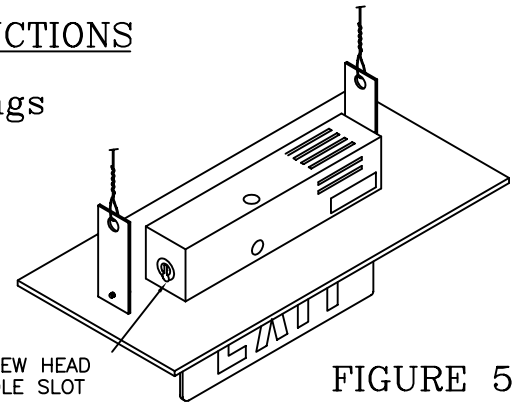


FIGURE 4

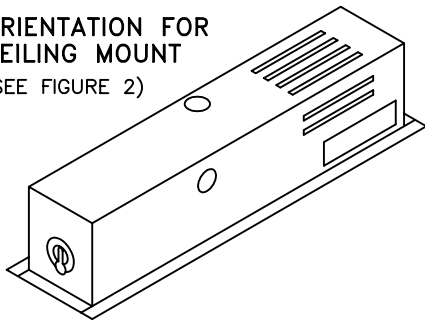


- 1) SUSPEND MOUNTING BRACKETS FROM STRUCTURAL CEILING WITH WIRE, CABLE OR ROD. ADJUST LENGTH SO BOTTOM EDGE OF BRACKET IS 1" ABOVE FINISHED CEILING LINE (SEE FIGURE 4)
- 2) MAKE AN OPENING IN THE TILE 3-1/2" X 15-1/2", WHERE FIXTURE IS TO BE LOCATED

NOTE: Backbox **MUST** be mounted in correct orientation. For correct backbox orientation refer to Figure 5.

- 3) INSERT BACKBOX INTO OPENING UNTIL FLANGES ON BACKBOX ARE AGAINST TILE. CONTINUE PUSHING UP (APPROX. 1") SO HEAD OF SCREW IN BRACKET CAN BE INSERTED INTO THE LARGE PART OF THE SLOT IN BACKBOX (SEE FIGURE 5). NOW LOWER BACKBOX AS FAR AS THE SLOT ALLOWS AND TIGHTEN SCREW.

ORIENTATION FOR CEILING MOUNT (SEE FIGURE 2)



ORIENTATION FOR WALL MOUNT (SEE FIGURE 2)

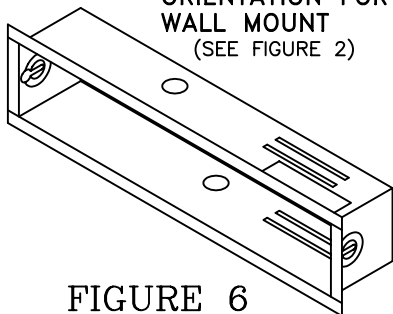


FIGURE 6

Sheetrock Walls or Ceilings

- 1) CUT 3-1/2" X 15 1/2" ROUGH OPENING IN CEILING ADJACENT TO JOIST OR OTHER CEILING FRAMING MATERIAL (ADD FRAMING MEMBER, FURRING STRIP OR OTHER MATERIAL IF NECESSARY).

NOTE: Backbox **MUST** be mounted in correct orientation. For correct backbox orientation, ceiling or wall mount, refer to Figure 6.

- 2) SECURE BACKBOX TO FRAMING WITH SCREWS AT BOTH ENDS (SEE FIGURE 7)

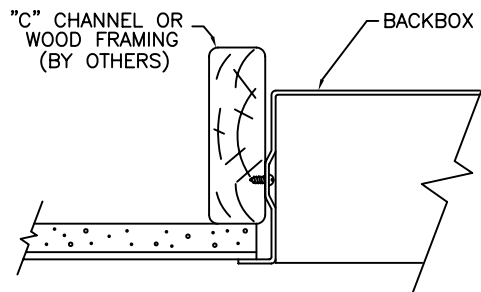


FIGURE 7