



## Grafix

120VAC OR 277VAC  
Two Circuit Input

Service Questions Call: 910-259-1000

### IMPORTANT SAFEGUARDS

When using electrical equipment, basic safety precautions should always be followed, including the following:

### READ AND FOLLOW ALL SAFETY INSTRUCTIONS

All servicing should be performed by qualified personnel only.

Equipment should be mounted in locations and at heights where it will not be readily subjected to tampering by unauthorized personnel.

The use of accessory equipment not recommended by the manufacturer may cause an unsafe condition.

Do not use this equipment for other than intended use.

Do not let supply cords touch hot surfaces.

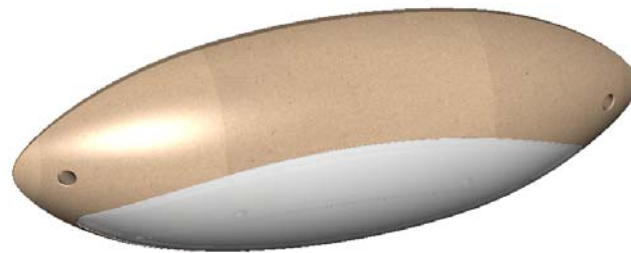
Do not mount near gas or electric heaters.

Caution: Halogen cycle lamp(s) are used in this equipment. To avoid shattering: Do not operate lamp in excess of rated voltage, protect lamp against abrasion and scratches and against liquids when lamp is operating, dispose of lamp with care.

Halogen cycle lamps operate at high temperatures. Do not store or place flammable materials near lamp.

Use caution when servicing batteries. Battery acid can cause burns to skin and eyes. If acid is spilled

LightGuard is a Philips group brand



## INSTALLATION AND OPERATING INSTRUCTIONS

on skin or eyes, flush acid with fresh water and contact a physician immediately.

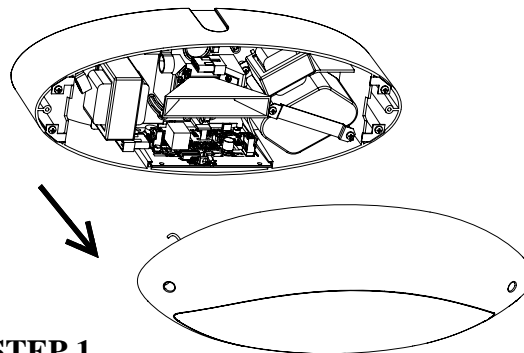
**CAUTION:** To avoid electrical overload, total connected lamp load (factory and field installed) should not exceed output rating.

### SAVE THESE INSTRUCTIONS

**WARNING** – Shut off AC power to branch circuits to which units will be connected. All wiring should be per N.E.C. Articles 501-4(b) and local codes.

To maintain warranty, equipment with batteries must be installed or placed on charge within prescribed period after shipment.

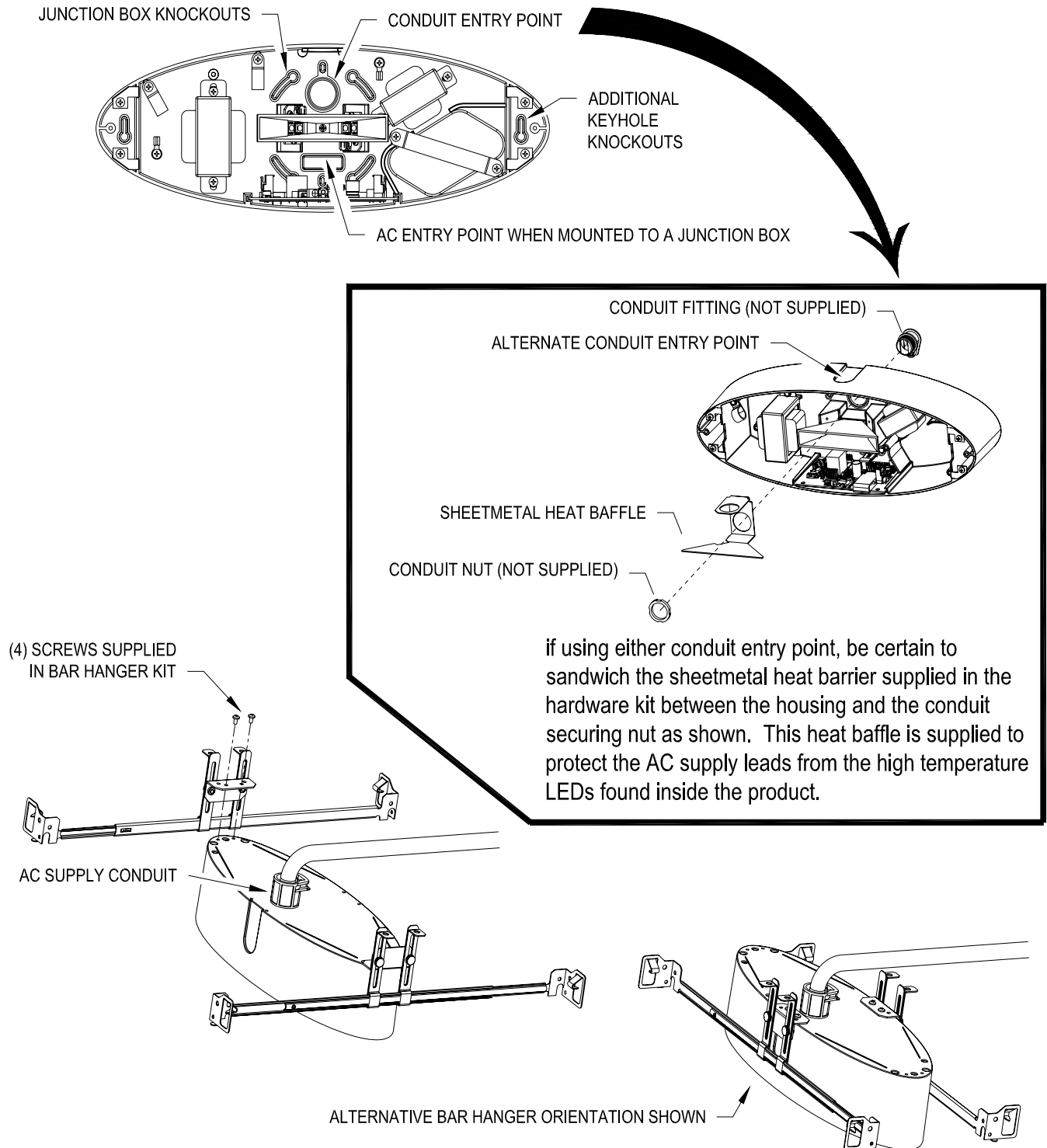
### GENERAL INSTRUCTIONS



#### STEP 1

Remove cover assembly by pulling straight off of housing assembly (there are two spring clips that hold them together). Set cover assembly aside.

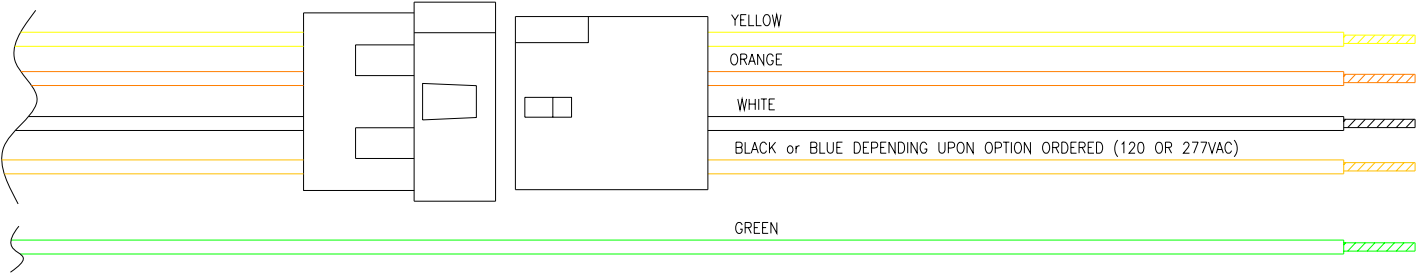
**PHILIPS**



## STEP 2

For surface mounting, a knockout pattern is supplied for 3-1/2" octagonal or single gang junction boxes. Remove desired mounting knockouts and the rectangular knockout found in the lower center area of the housing. The rectangular knockout will allow for AC supply entry. (The LED's may be seen to flash while striking the knockouts for removal. The battery may be temporarily disconnected to eliminate this if desired). Apply self adhesive foam rubber gasket to backside of housing to seal off removed knockouts.

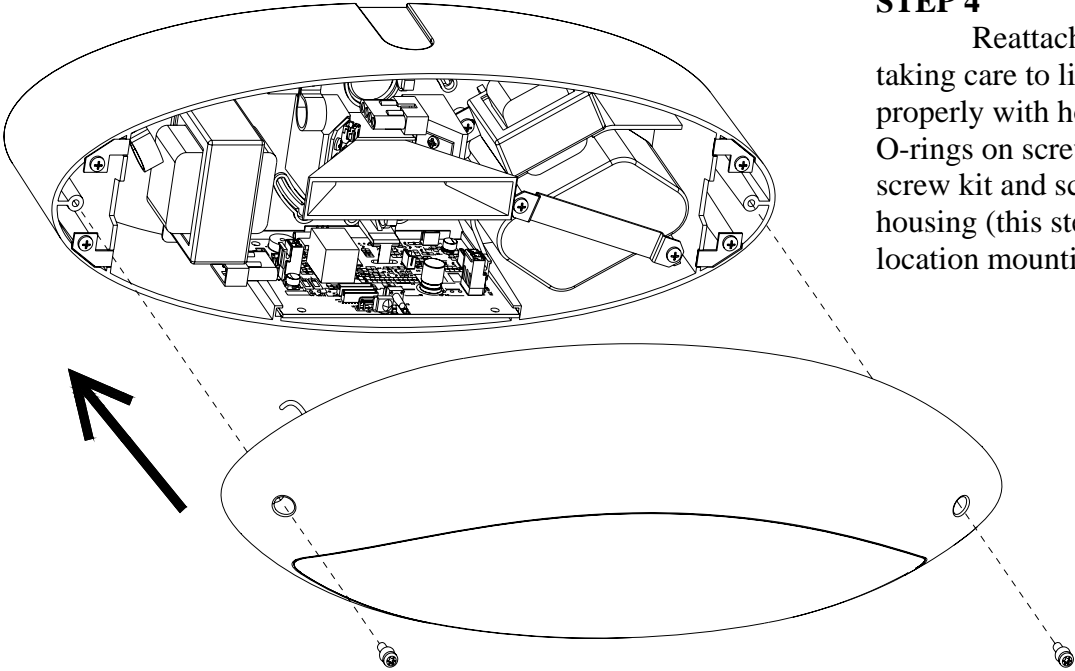
For recessed mounting, the packaging insert also functions as a template for cutting the correct size and shape opening in the mounting surface. A bar hanger kit is supplied. The bar hangers may be mounted to the housing assembly in either orientation shown depending upon desired mounting. A round conduit entry knockout is provided in the upper center or side of the housing.



| TWO-CIRCUIT AC HOOKUP       |                             |
|-----------------------------|-----------------------------|
| <u>120 VAC OPERATION</u>    | <u>277 VAC OPERATION</u>    |
| White Wire - 1st Common     | White Wire - 1st Common     |
| Black Wire - 1st 120V Line  | Blue Wire - 1st 277V Line   |
| Orange Wire - 2nd 120V Line | Orange Wire - 2nd 277V Line |
| Yellow Wire - 2nd Common    | Yellow Wire - 2nd Common    |
| Green Wire - Ground         | Green Wire - Ground         |

**STEP 3**

Make AC supply connections. The input may be connected to either switched or unswitched AC service. Cap off unused 120VAC or 277VAC wire to prevent shorting.



**STEP 4**

Reattach cover assembly taking care to line up springs properly with housing. Place rubber O-rings on screws found in included screw kit and screw faceplate to housing (this step is required if wet location mounting is desired).