

**LED OUTDOOR UNIT EQUIPMENT  
120VAC OR 277VAC  
TWO-CIRCUIT INPUT  
INSTALLATION AND OPERATING INSTRUCTIONS**

---

## **IMPORTANT SAFEGUARDS**

When using electrical equipment, basic safety precautions should always be followed, including the following:

- Do not let power supply cords touch hot surfaces.
- Do not mount near gas or electric heaters.
- Do not use this equipment for other than intended use.

## **READ AND FOLLOW ALL SAFETY INSTRUCTIONS**

- All servicing should be performed by qualified personnel only.
- Equipment should be mounted in locations and at heights where it will not readily be subjected to tampering by unauthorized personnel.
- The use of accessory equipment not recommended by the manufacturer may cause an unsafe condition.

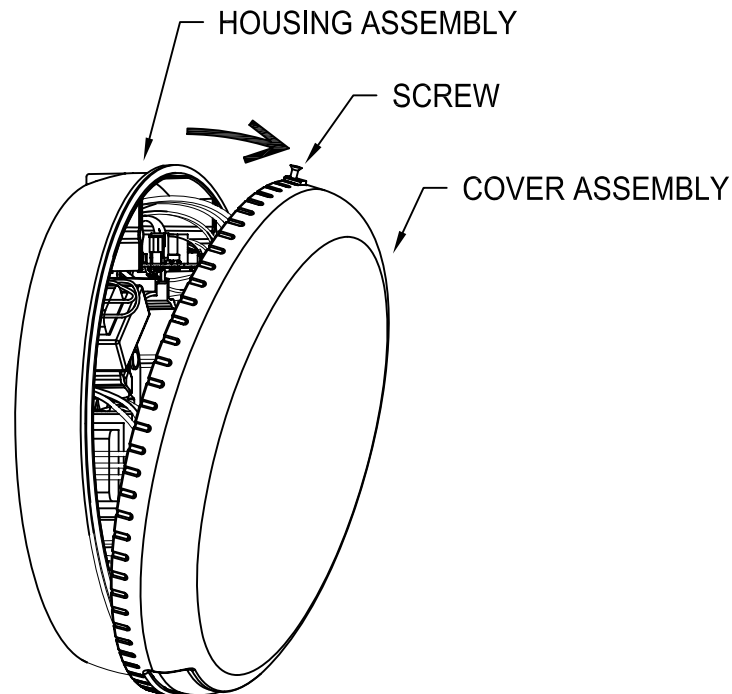
## **SAVE THESE INSTRUCTIONS**

### **WARNING**

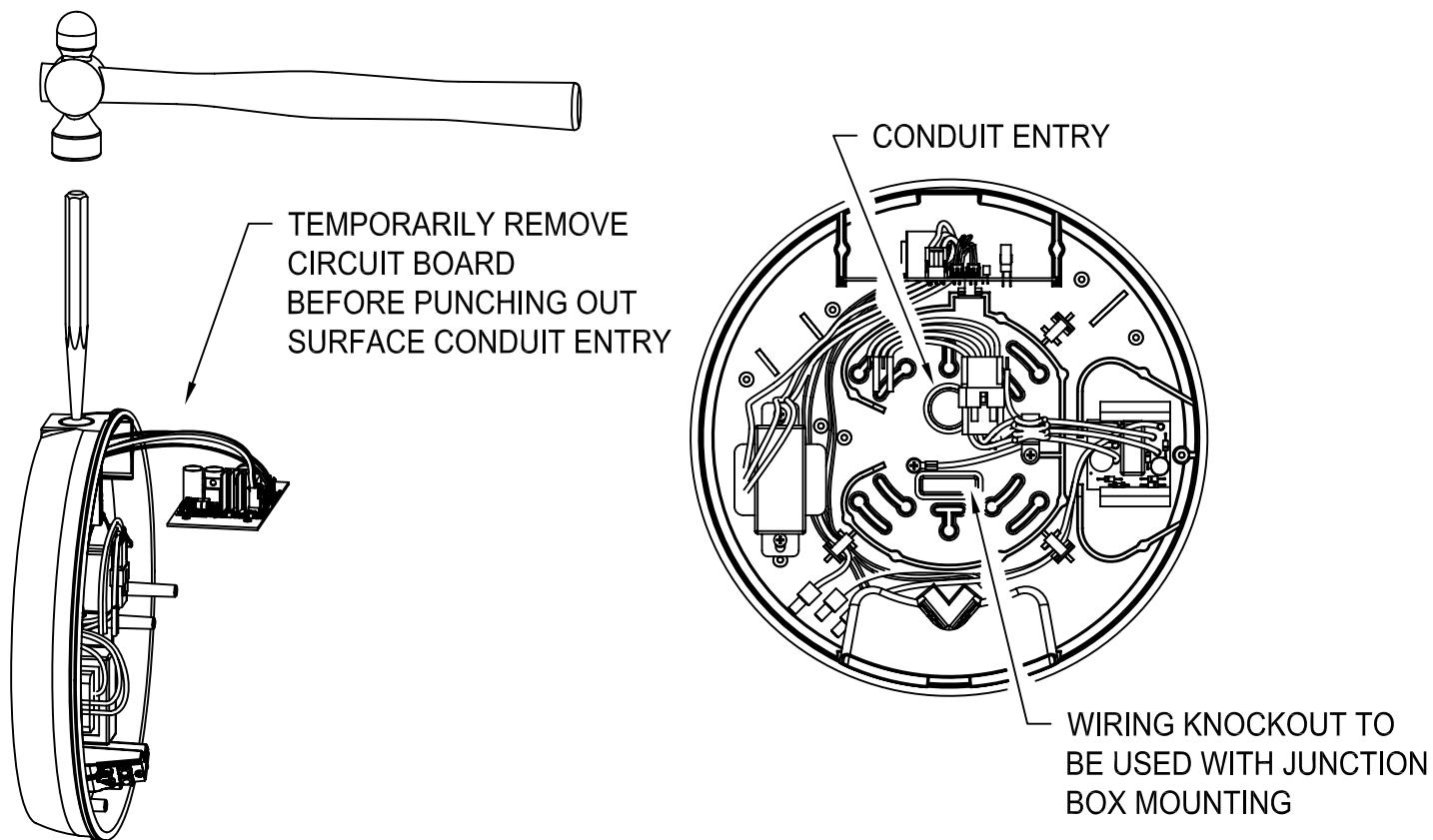
Shut off AC power to branch circuits to which units will be connected. All wiring should be per National Electrical Code and local regulations.

---

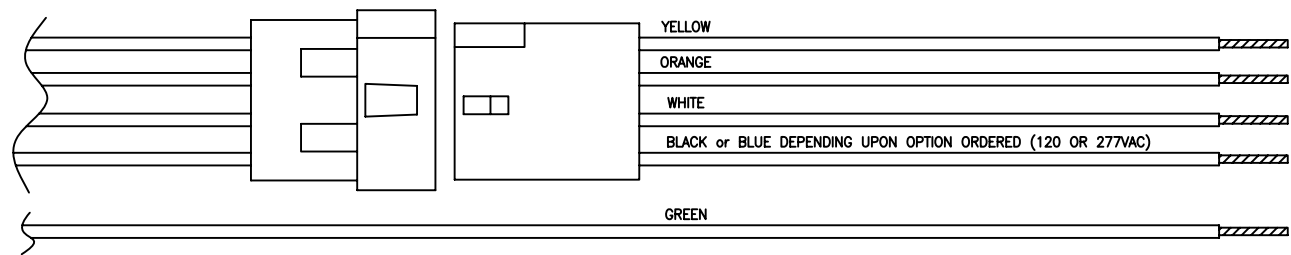
## **INSTALLATION INSTRUCTIONS**



- 1 Use supplied T-10 Torx bit to back screw halfway out of cover assembly (screw does not need to be completely removed). Separate cover assembly from housing assembly and set aside.

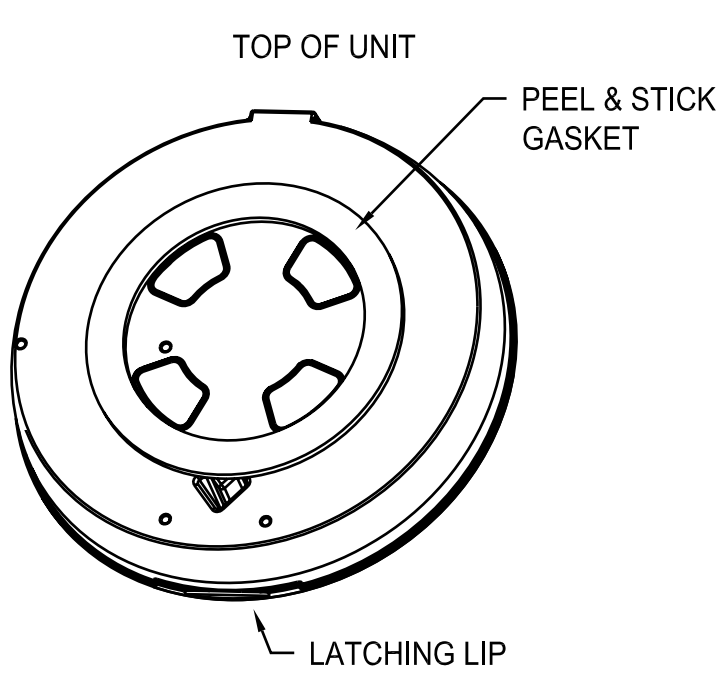


2 Determine desired point of entry for AC supply and remove appropriate knockout. Unit may be mounted to a 3-1/2", 4" or single gang junction box. Remove junction box mounting knockouts as necessary. Apply round foam gasket to back of housing being sure that all openings created by removed knockouts are inside perimeter of gasket. Mount product with screws (not provided).

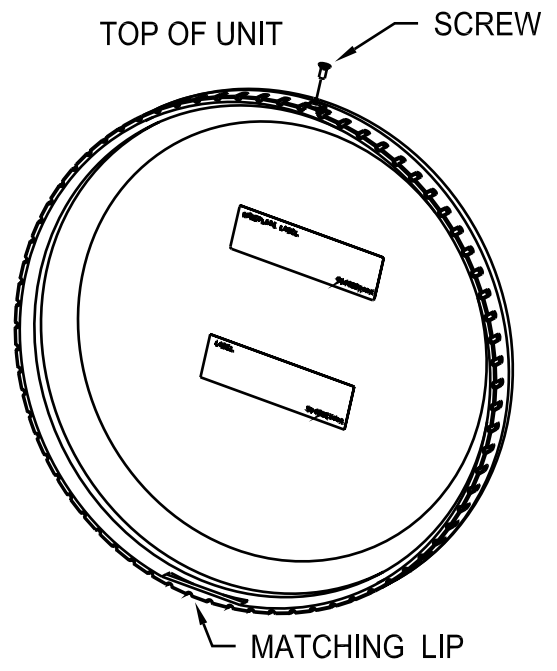


3 Make AC supply connections. The input may be connected to either switched or unswitched AC service. Cap off unused 120VAC or 277VAC wire to prevent shorting.

TWO-CIRCUIT AC HOOKUP	
<u>120 VAC OPERATION</u>	<u>277 VAC OPERATION</u>
White Wire - 1st Common	White Wire - 1st Common
Black Wire - 1st 120V Line	Red Wire - 1st 277V Line
Orange Wire - 2nd 120V Line	Orange Wire - 2nd 277V Line
Yellow Wire - 2nd Common	Yellow Wire - 2nd Common
Green Wire - Ground	Green Wire - Ground



BACK VIEW OF HOUSING ASSEMBLY



BACK VIEW OF COVER ASSEMBLY

