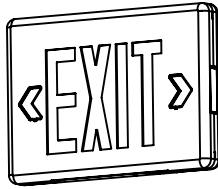


UNISON
ULA SERIES
By



120V OR 277V
AC PLASTIC LED EXIT
INSTALLATION AND OPERATING
INSTRUCTIONS

IMPORTANT SAFEGUARDS

When using electric equipment, basic safety precautions should always be followed, including the following:

READ AND FOLLOW ALL SAFETY INSTRUCTIONS

All servicing should be performed by qualified personnel only.

Do not use this equipment outdoors.

Do not mount near gas or electric heaters.

Equipment should be mounted in locations and at heights where it will not be subjected to tampering by unauthorized personnel.

The use of accessory equipment not recommended by the manufacturer may cause an unsafe condition.

Do not use this equipment for other than intended use.

Do not let power supply cords touch hot surfaces.

Do not mount near open flames or sparks.

SAVE THESE INSTRUCTIONS

WARNING – Shut off AC power to branch circuit to which units will be connected. All wiring should be to National Electrical Code and local regulations.

UNISON ULA SERIES

CEILING (TOP) MOUNT

- ① Connect AC supply connector to service wires as follows:

120V Unit	277V Unit
Black wire to line	Blue wire to line
White wire to common	White wire to common
*Green wire to ground	*Green wire to ground
Unused primary wire must be insulated to prevent shorting	
* Standard red LED AC exit does not require green ground wire.	

Remove appropriate knockouts in canopy mounting plate. Route AC supply connector thru hole in plate, Mount plate to outlet box using screws supplied with outlet box.

If Fire Alarm option is used, route Fire Alarm service wires thru hole in plate.

- ②A/②B Route AC supply connector from exit thru hole in canopy.

If Fire Alarm option is used, route red and yellow wires from exit thru hole in canopy.

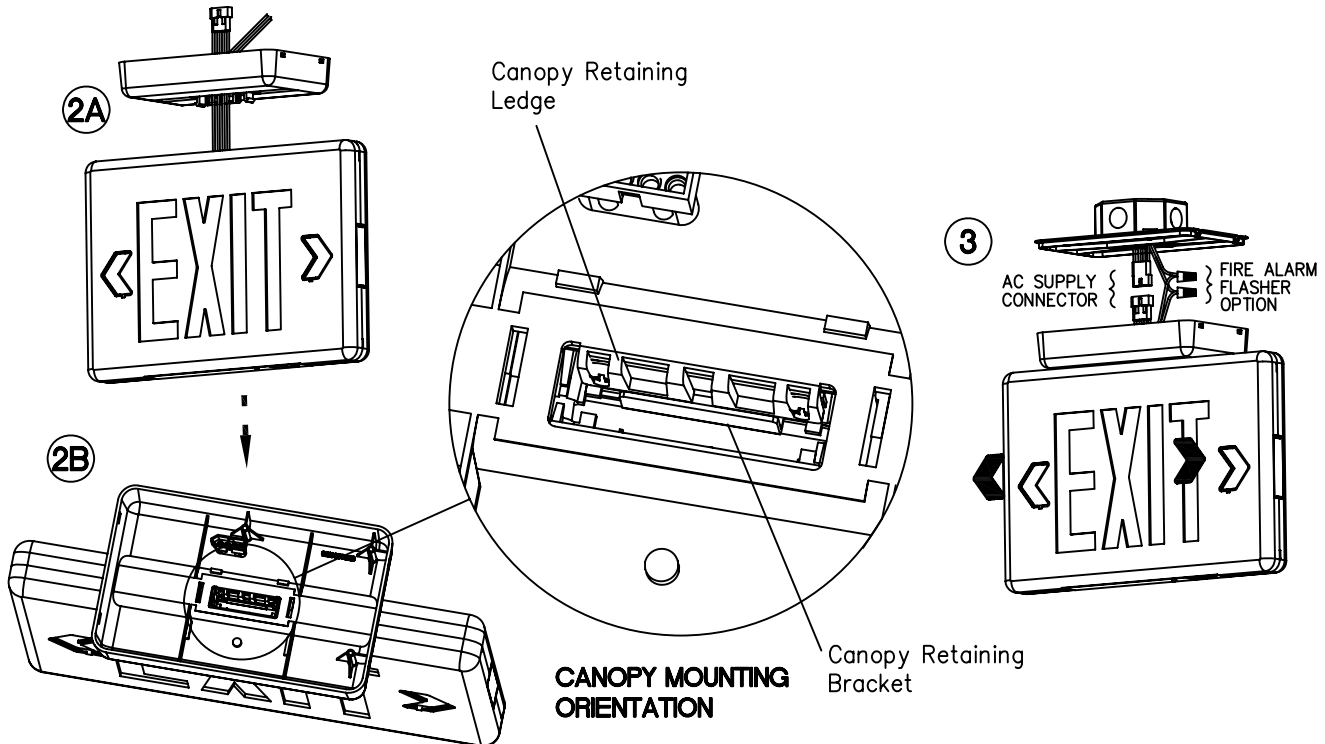
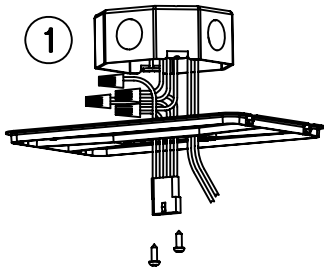
Properly orient canopy and snap canopy to exit as shown.

- ③ Remove desired directional chevron(s) from exit at this time. Connect AC supply connector to mating connector. Assemble exit to canopy mounting plate.

If Fire Alarm Flasher option is used:
 -Connect RED wire to 24VDC POSITIVE
 -Connect YELLOW wire to 24VDC NEGATIVE
 Use wire nuts for connection, (not supplied)

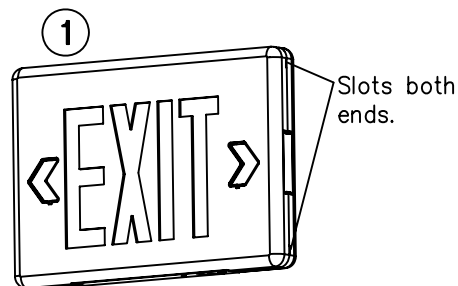
If 12VDC converter option is used:
 CONSULT NAMEPLATE LABEL FOR DC CONVERTER SUPPLIED.
 Connect ORANGE wire to DC POSITIVE
 Connect GREY wire to DC NEGATIVE
 Use wire nuts for connection, (not supplied)

Energize AC to exit.

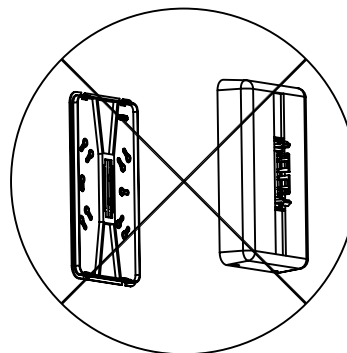


UNISON ULA SERIES

WALL (BACK) MOUNT



- ① Separating exit halves: Carefully insert screwdriver blade into slot on side of exit and twists. Repeat for each slot.



Discard canopy and canopy mounting plate

- ② Connect AC supplied connector to service wires as follows:

120V Unit

Black wire to line

White wire to common

*Green wire to ground

Unused primary wire must be insulated to prevent shorting

* Standard red LED AC exit does not require green ground wire.

277V Unit

Blue wire to line

White wire to common

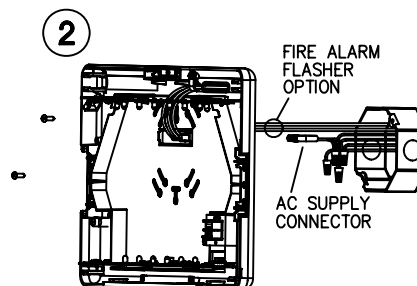
*Green wire to ground

Connect AC supply connector to mating connector. Push connectors into outlet box.

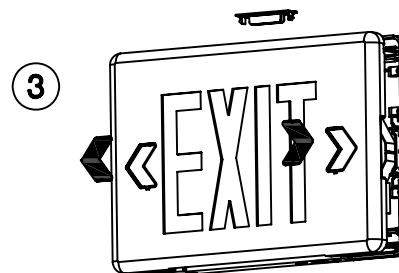
If 12VDC converter option is used:
CONSULT NAMEPLATE LABEL FOR DC CONVERTER SUPPLIED.
Connect ORANGE wire to DC POSITIVE
Connect GREY wire to DC NEGATIVE
Use wire nuts for connection, (not supplied)

Remove hole plug (Do not discard) in backplate.
Remove appropriate knockouts in backplate.
Route AC supply connector thru hole in backplate. Mount backplate to outlet box using screws supplied with outlet box.

If Fire Alarm option is used, route Fire Alarm service wires thru hole in backplate.
-Connect RED wire to 24VDC POSITIVE
-Connect YELLOW wire to 24VDC NEGATIVE
Use wire nuts for connection, (not supplied)



- ③ Remove desired directional chevron(s) from exit at this time.
Reassemble exit halves together.
Insert hole plug (from backplate) in hole in top of exit. Energize AC to exit.



UNISON ULA SERIES

WALL (SIDE) MOUNT

① wires as follows:

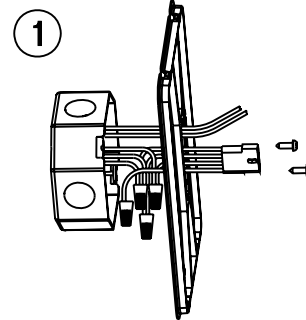
<p><u>120V Unit</u> Black wire to line White wire to common *Green wire to ground</p>	<p><u>277V Unit</u> *</p>
--	--

prevent shorting

green ground wire.

Remove appropriate knockouts in canopy mounting plate. Route AC supplied connector thru hole in plate, Mount plate to outlet box using screws supplied with outlet box.

If Fire Alarm option is used, route Fire Alarm service wires thru hole in plate.



②A ②B ②C

exit and twist. Repeat for each slot.

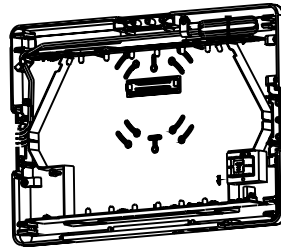
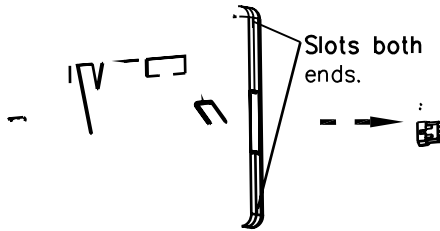
mounting side of exit.

mounting side of exit.

Route AC supply connector out thru side of exit.

If Fire Alarm option is used, route red and yellow wires from exit out thru side of exit.

Reassemble exit and insert side hole plug into top hole in exit.



If Fire Alarm Flasher option is used:
 -Connect RED wire to 24VDC POSITIVE
 -Connect YELLOW wire to 24VDC NEGATIVE
 Use wire nuts for connection, (not supplied)

If 12VDC converter option is used:
 CONSULT NAMEPLATE LABEL FOR DC CONVERTER SUPPLIED.
 Connect ORANGE wire to DC POSITIVE
 Connect GREY wire to DC NEGATIVE
 Use wire nuts for connection, (not supplied)

Energize AC to exit.

