

V675, V6100, V12100

SERIES

By  LightGuard®

INSTALLATION AND OPERATING INSTRUCTIONS

IMPORTANT SAFEGUARDS

When using electrical equipment, basic safety precautions should always be followed, including the following:

READ AND FOLLOW ALL SAFETY INSTRUCTIONS

All servicing should be performed by qualified personnel only.

Do not use this equipment outdoors.

Equipment should be mounted in locations and heights where it will not readily be subjected to tampering by unauthorized personnel.

The use of accessory equipment not recommended by the manufacturer may cause an unsafe condition.

Do not let power supply cords touch hot surfaces.

Do not mount near gas or electric heaters.

CAUTION: Halogen cycle lamp(s) are used in this equipment. To avoid shattering: Do not operate lamp in excess of rated voltage, protect lamp against abrasion and scratches and against liquids when lamp is operating, dispose of lamp with care.

Halogen cycle lamps operate at high temperatures. Do not store or place flammable materials near lamp.

CAUTION: "To avoid electrical overload, total connected lamp load (factory and field installed) should not exceed output rating."

Do not use this equipment for other than intended use.

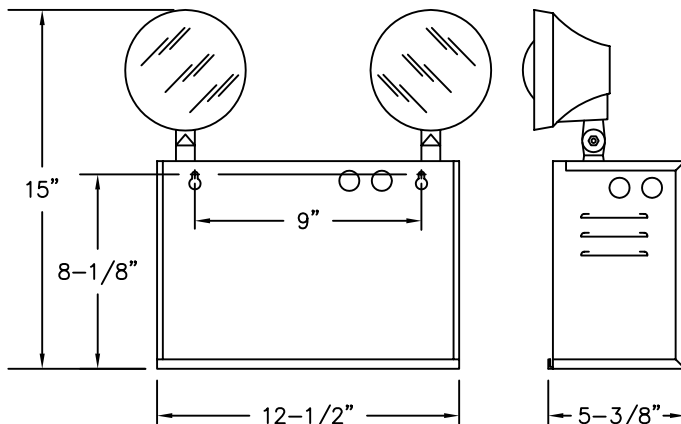


FIG. 1

SAVE THESE INSTRUCTIONS

WARNING

Shut off AC power to branch circuits to which units will be connected. All wiring should be per National Electrical Code and local regulations.

INSTRUCTIONS INSTALLATION

(See Figure 1 For Cabinet Dimensions)

1. Remove cover and attach lamp heads to cabinet as required.
2. Remove appropriate cabinet knockout to accept AC power.
3. Remove keyway knockouts (2) if cabinet is to be mounted to wall.
4. Mount cabinet to wall or use optional shelf. (Part Number MJSHELF)
5. Connect lamp wires to printed circuit board assembly as shown in Figure 2.

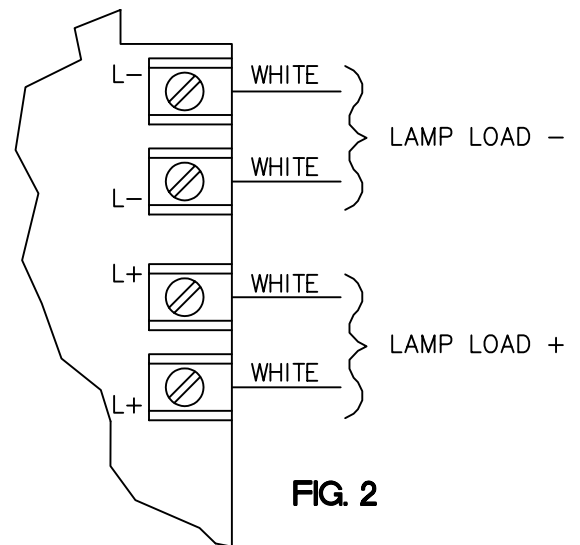


FIG. 2

V675, V6100 AND V12100 SERIES

6. Make electrical hookups at this time as follows:

120 VAC OPERATION

White Wire – Common
 Black Wire – 120V Line
 Green Wire – Ground

277 VAC OPERATION

White Wire – Common
 Blue Wire – 277V Line
 Green Wire – Ground

NOTE: Unused primary wire must be insulated to prevent shorting.

7. Install batteries and interconnect using wire harness provided as shown in figures 3, 4 or 5.

NOTE: Batteries must be connected exactly as shown or equipment failure will result.

8. Connect battery harness connectors to mating connectors mounted in barrier wall.

INSTRUCTIONS - OPERATING

1. Energize AC power to equipment and check that pilot lamp illuminates red.
2. Press test switch and verify pilot lamp turns off and lamp heads illuminate.
3. AC power must be connected to unit for a minimum of 24 hours before any duration testing. Full recharge of batteries may take up to one (1) week.

NOTE:

A. This equipment is provided with a lockout feature whereby connecting battery leads prior to energizing AC power will not turn on the emergency lamps. After AC power is energized the emergency lamps will turn on upon AC power failure.

B. This equipment is provided with a low battery disconnect feature which prevents full discharge of batteries. If the building is to be unoccupied for an extended period and AC power is shut off, the batteries should be unplugged from the charger to prevent damage.

C. The batteries provided in this equipment are sealed and require no maintenance.

BATTERY WIRING DIAGRAMS

V675

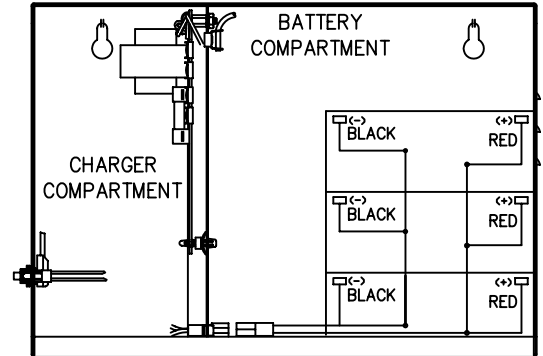


FIG. 3

V6100

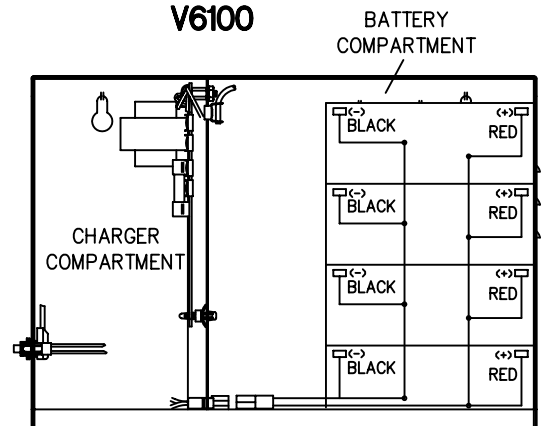


FIG. 4

V12100

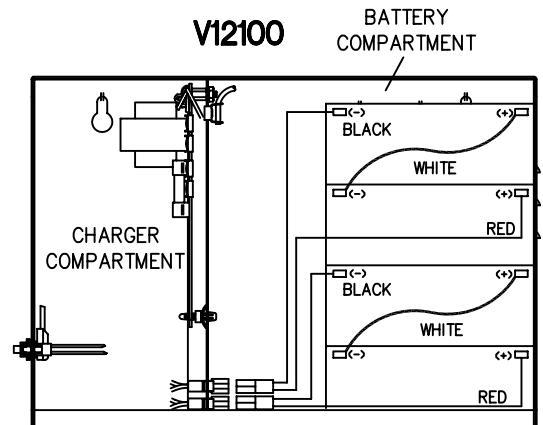


FIG. 5